

12100-20/40 CONTINUOUS RUN

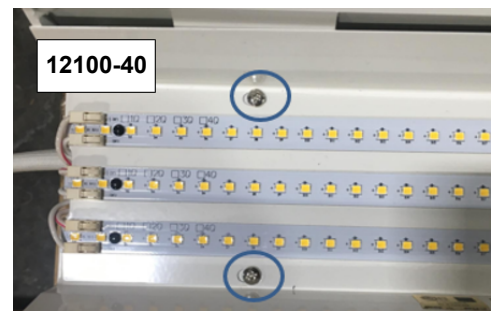
INSTALLATION INSTRUCTIONS

WARNING:



RISK OF FIRE AND ELECTRICAL SHOCK. FIXTURE MUST BE INSTALLED BY A QUALIFIED ELECTRICIAN ONLY IN ACCORDANCE WITH NATIONAL, LOCAL BUILDING AND ELECTRICAL CODES. DISCONNECT POWER AT ELECTRICAL PANEL BEFORE SERVICING.

1. Place the fixtures in numerical order keeping the same alphabet family.
2. Unscrew to remove all the module plates.



3. Assemble into continuous run using 4 pieces of screws.



12100-20/40 CONTINUOUS RUN

INSTALLATION INSTRUCTIONS

WARNING:



RISK OF FIRE AND ELECTRICAL SHOCK. FIXTURE MUST BE INSTALLED BY A QUALIFIED ELECTRICIAN ONLY IN ACCORDANCE WITH NATIONAL, LOCAL BUILDING AND ELECTRICAL CODES. DISCONNECT POWER AT ELECTRICAL PANEL BEFORE SERVICING.

4. Connect yellow to yellow disconnecter and orange to orange disconnecter (or connectors with matching wires), and tuck them underneath the module plate.



5. Reinstall all the module plates and secure.



6. Install the lens.

7. Y-Cable on all continuous part of the fixture is a minimum requirement.



(310) 733-1248
alconlighting.com
rfq@alconlighting.com

Contractor is responsible for adequately reinforcing ceilings to support luminaire weight. Alcon Lighting accepts no responsibility for inadequately reinforced ceilings. The information contained in this drawing is the sole property of Alcon Lighting. Any reproduction in part or whole without the written permission of Alcon Lighting is prohibited and warranty voided.

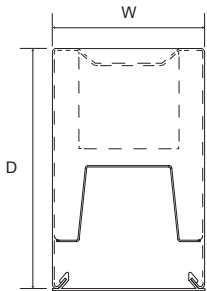
12100-20/40 PENDANT CABLE

INSTALLATION INSTRUCTIONS

WARNING:



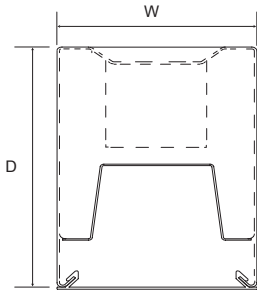
RISK OF FIRE AND ELECTRICAL SHOCK. FIXTURE MUST BE INSTALLED BY A QUALIFIED ELECTRICIAN ONLY IN ACCORDANCE WITH NATIONAL, LOCAL BUILDING AND ELECTRICAL CODES. DISCONNECT POWER AT ELECTRICAL PANEL BEFORE SERVICING.



Specifications: 12100-20

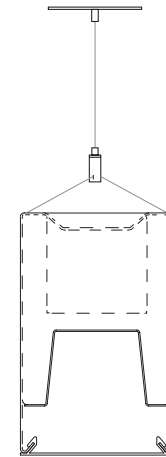
Width: 2.5 (64)
Depth: 4 (101)

All dimensions are in inches (millimeters).

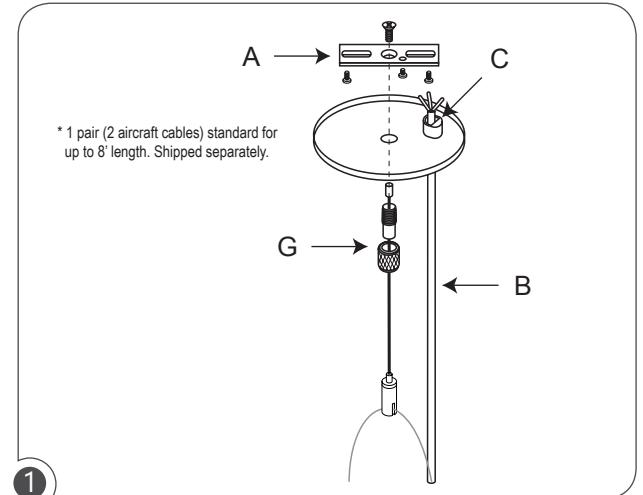


Specifications: 12100-40

Width: 4 (101)
Depth: 4 (101)



Cable



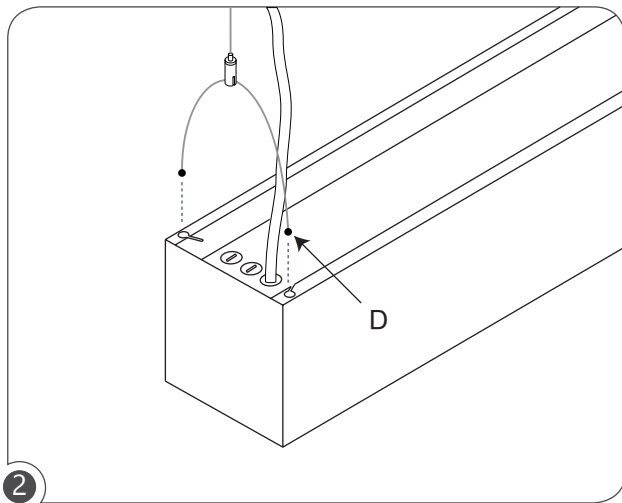
* 1 pair (2 aircraft cables) standard for up to 8' length. Shipped separately.

1

Install canopy bracket(A) on to j-box and Run power cord(B) through Power feed canopy(C) and secure the power cord inside the canopy. Connect the power cord to the ceiling power feed from j-box. Place canopy in position on Threaded stud and secure with cable mounting nut(G).

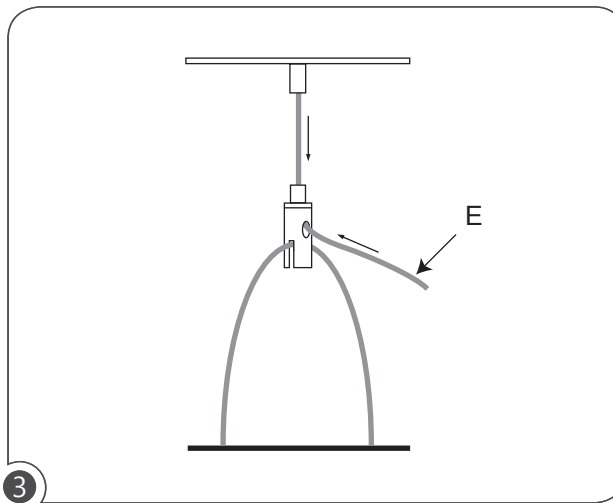
PART LIST

- | | |
|----------------------|-----------------------|
| A: Canopy bracket | E: Aircraft cable |
| B: Power cord | F: Threaded stud |
| C: Power feed canopy | G: Cable mounting nut |
| D: Grip lock | H: Screws |



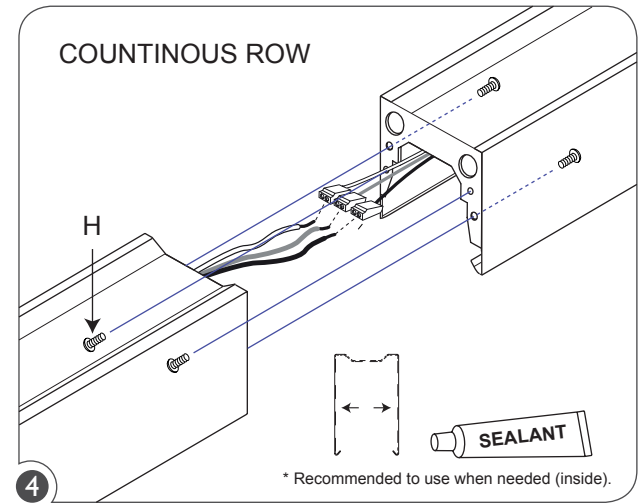
2

Install Grip lock(D) to each end of housing.



3

Run Aircraft cable(E) through Grip lock installed on fixture and adjust height by pushing Grip lock.



4

COUNTINUOUS ROW

- 1) Remove end caps
- 2) Make wiring connection from each fixture power supply wires together.
- 3) Align fixtures and screw together with 4 screws(H).



(310) 733-1248
alconlighting.com
rfq@alconlighting.com

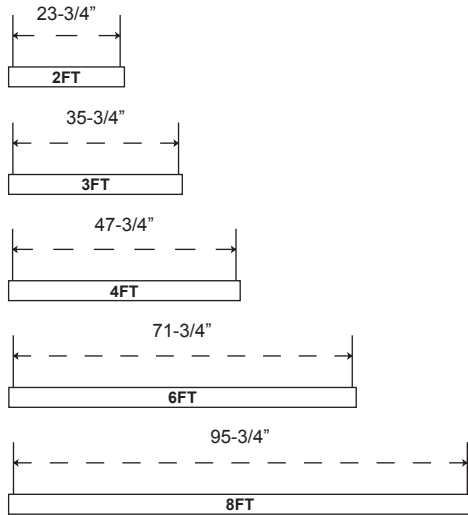
Contractor is responsible for adequately reinforcing ceilings to support luminaire weight. Alcon Lighting accepts no responsibility for inadequately reinforced ceilings. The information contained in this drawing is the sole property of Alcon Lighting. Any reproduction in part or whole without the written permission of Alcon Lighting is prohibited and warranty voided.

12100-20/40 PENDANT CABLE

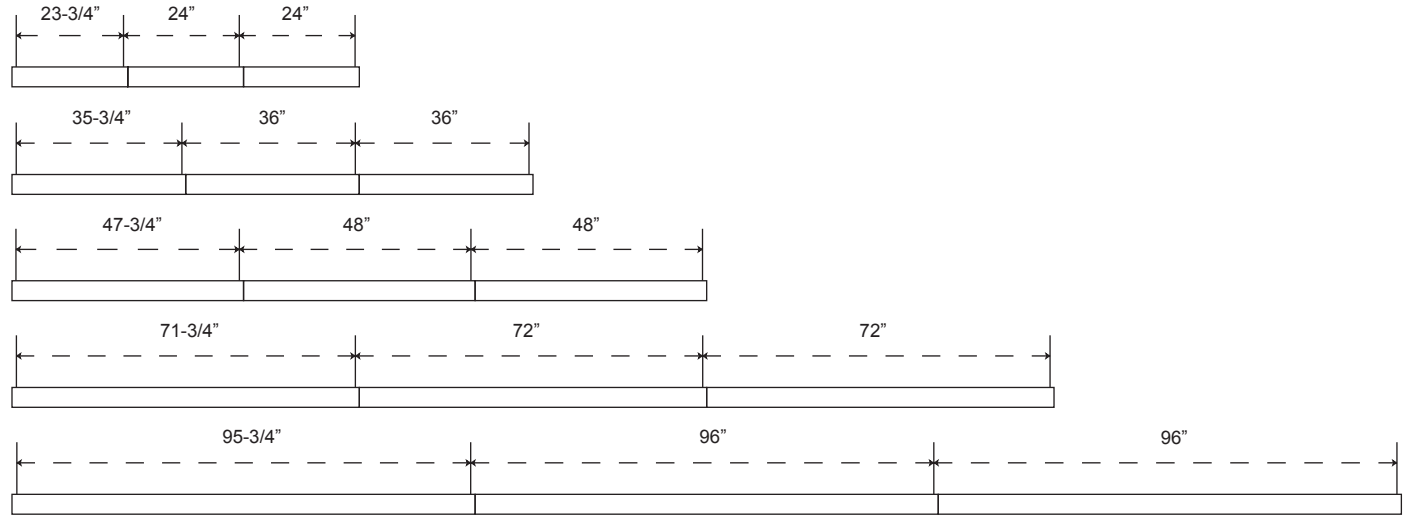
INSTALLATION INSTRUCTIONS

12100-20

INDIVIDUAL



CONTINUOUS



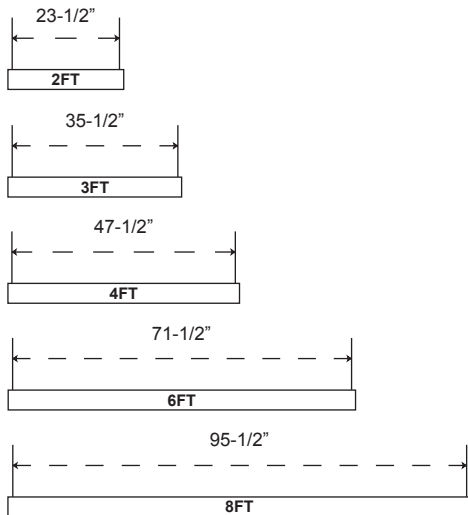
WARNING:



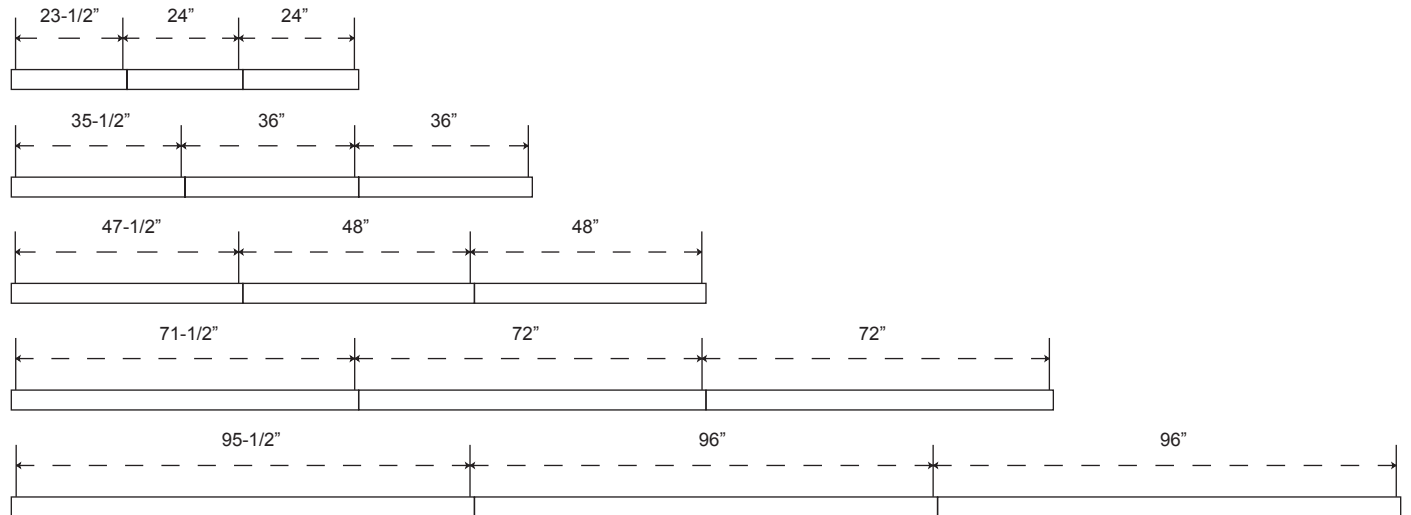
RISK OF FIRE AND ELECTRICAL SHOCK. FIXTURE MUST BE INSTALLED BY A QUALIFIED ELECTRICIAN ONLY IN ACCORDANCE WITH NATIONAL, LOCAL BUILDING AND ELECTRICAL CODES. DISCONNECT POWER AT ELECTRICAL PANEL BEFORE SERVICING.

12100-40

INDIVIDUAL



CONTINUOUS



(310) 733-1248
alconlighting.com
rfq@alconlighting.com

Contractor is responsible for adequately reinforcing ceilings to support luminaire weight. Alcon Lighting accepts no responsibility for inadequately reinforced ceilings. The information contained in this drawing is the sole property of Alcon Lighting. Any reproduction in part or whole without the written permission of Alcon Lighting is prohibited and warranty voided.