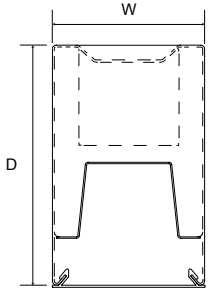


12100-20/40

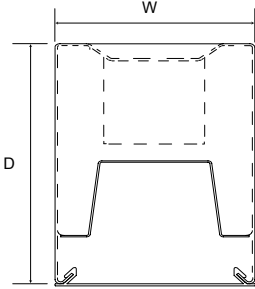
PENDANT STEM | INSTALLATION INSTRUCTIONS



Specifications: 12100-20

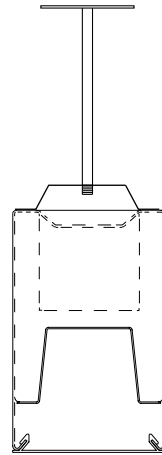
Width: 2.5 (64)
Depth: 4 (101)

All dimensions are in inches (millimeters).



Specifications: 12100-40

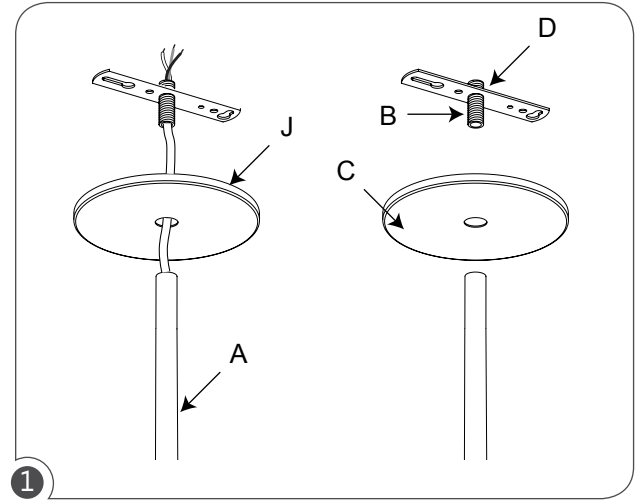
Width: 4 (101)
Depth: 4 (101)



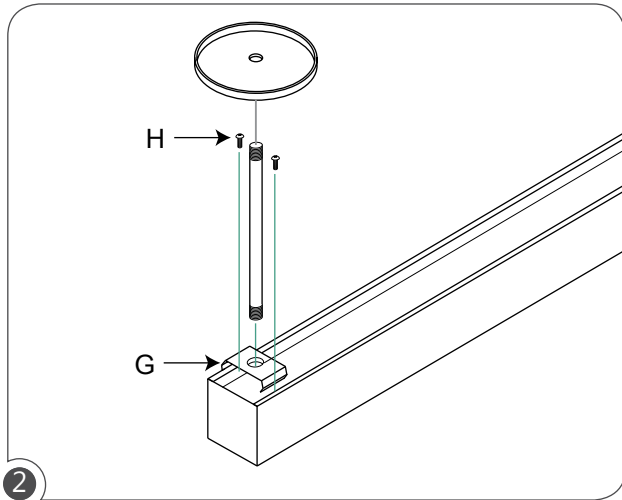
Stem

● PART LIST

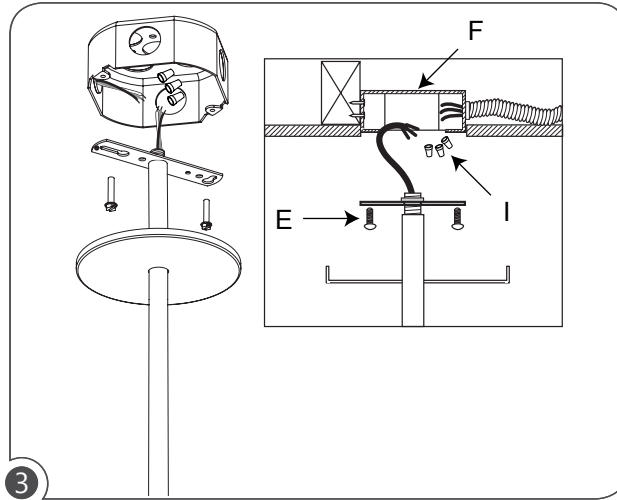
- | | | |
|------------------|-------------------|--------------------|
| A: Stem | G: Stem bracket | M: Wire connectors |
| B: Threaded stud | H: Bracket screws | N: Screws |
| C: Canopy | I: Wire Nuts | |
| D: J-box bracket | J: Trim ring | |
| E: Screws | K: Power cable | |
| F: J-box | L: Bushing | |



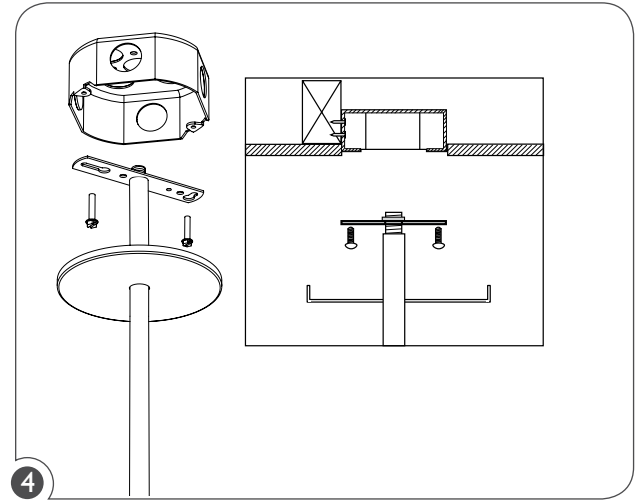
1 Run power cable through stem(A). Slide the trim ring(J) and then the canopy(C) onto the stem and leave loose. Screw the j-box bracket(D) with the threaded stud(B) onto the stem.



2 Screw stem bracket(G) to housing with Bracket screws(H). Then screw the stems onto the stem bracket with mounting nut at each end of the fixture.



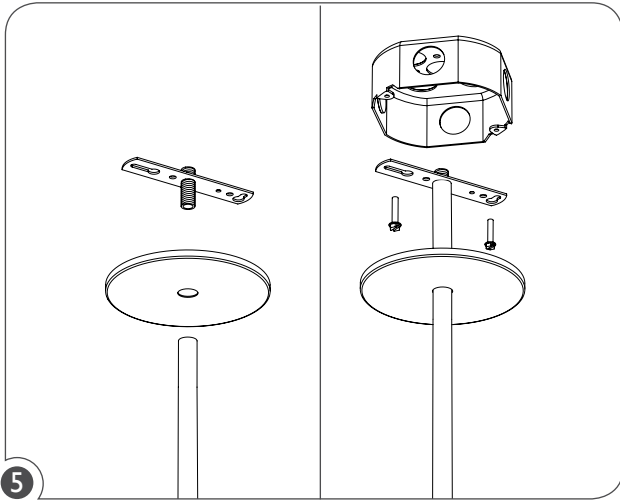
3 Align the power side of fixture to the j-box(F) and rise to ceiling and secure with screws(E) the j-box bracket to the junction box. Make electrical connection with wire nuts(I). Slide the canopy and secure in place with the trim ring.



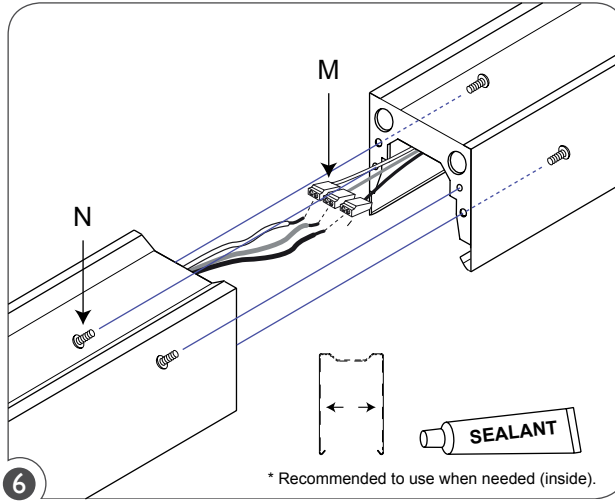
4 Align the non power side, raise the fixture to the ceiling and secure with screws the j-box bracket to the junction box. Slide the canopy and secure in place with the trim ring.

12100-20/40

PENDANT STEM | INSTALLATION INSTRUCTIONS



For continuous row, After first fixture is placed follow step 1 through 4 for the next fixture.



Remove end caps align fixtures make wire connection using wire connectors(M) and screw fixtures together from inside using screws x4(N).

* Recommended distance of stems for continuous row.

