

Project Name:

Type:

Quantity:

**FIXTURE SPECIFICATIONS**
**INTENDED USE**

This linear pendant or surface-mounted LED light delivers continuous clean lines and clear light to commercial, hospitality and residential interior lighting. The modern, slim profile comes in standard lengths of 4-feet and 8-feet but is available for continuous runs of any length. Excellent illumination, exceptional performance and versatility for offices, classrooms, conference rooms, museums, retail outlets, hotels, restaurants, and more. This integrated LED light is assembled in the U.S.

**PRODUCT FAMILY**

**12100-22-P** | Pendant  
**12100-22-S** | Surface

**AVAILABLE LENGTHS**

**4FT** | W 2.2" x L 48" x H 2.8"  
**8FT** | W 2.2" x L 96" x H 2.8"  
**Continuous Run** | Consult Factory

**FEATURES**

**Construction:** Die-formed and welded 22-gauge cold rolled steel  
**Continuous Row:** Full ability to tandem mount for continuous run application, equipped with male & female wuick connect harnesses

**Finish:** Silver

**Lens:** Glare-free snap in frosted acrylic for even distribution

**Voltage:** 120-277V

**Wattage:** 31 watts per 4 foot section

**Lumens:** 3100 lumens per 4 foot section

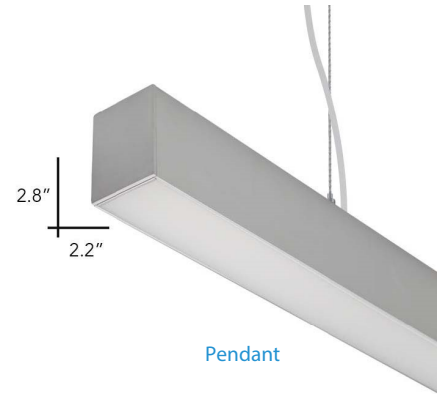
**Dimming:** 5-Wire 0-10V (100%-10%)

**CRI:** 80+

**Life:** 50,000 hours L70

**Warranty:** 5 years carefree for parts & components  
 (Labor not included)

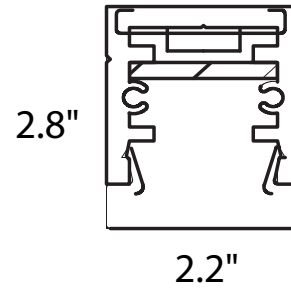
**Listings:** CA Title 24 Compliant, cETL Listed, LED chips tested to LM-80 standards



Pendant



Surface-Mounted



Alcon 12100-22 Linear Continuous Pendant or Surface-Mounted LED Ceiling Light

**ORDERING INFORMATION** Example: (12100-22-P-30K-S-4-AC72)

| Model           | Mount Type       | Color Temp       | Shape                      | Pendant Mounting                                    |
|-----------------|------------------|------------------|----------------------------|---|
| <b>12100-22</b> | <b>P</b> Pendant | <b>30K</b> 3000K | <b>S</b> Single Unit       | <b>AC72</b><br>72" Adjustable Aircraft Cable (x2)   |
|                 | <b>S</b> Surface | <b>40K</b> 4000K |                            |   |
|                 |                  |                  | <b>CR</b> Continuous Run   | <b>AC144</b><br>144" Adjustable Aircraft Cable (x2) |
|                 |                  |                  | <b>Total Run (in Feet)</b> |   |
|                 |                  |                  |                            |   |

