

Project Name: _____ Type: _____ Quantity: _____

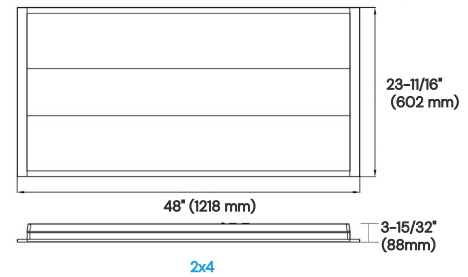
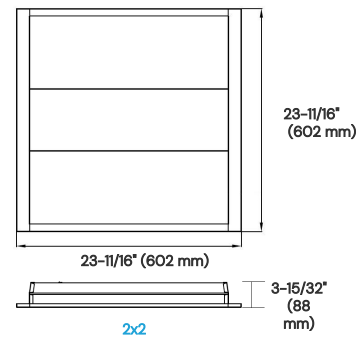
INTENDED USE

The specification grade Alcon Lighting 14150 Architectural LED Lay-In Troffer Light Fixture delivers a sleek, low profile, low glare, direct ambient light perfect for today's commercial buildings. The 14150 Architectural LED Lay-In Troffer Light Fixture ensures a highly efficient and superior quality lighting fixture.



FEATURES

- Color Temperature Switch:** Capable of delivering 3500K, 4000K & 5000K Color Temperatures
- Lens:** Anti-glare White Translucent Acrylic
- CRI:** 80+
- Voltage:** 120-277V
- Dimming:** 0-10V Dimmable
- Beam Angle:** 120°
- Life:** 50,000 Hour
- Operating Temperature:** -4°F~122°F
- Power Factor:** > 0.90
- Listings:** cULus, DLC Premium, Assembled in the USA
- Warranty:** 5 years carefree for parts & components (labor not included)

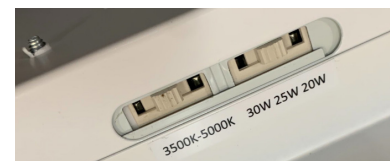


Size	Wattage Lumen Switching Capabilities	
2x2	20W, 25W, 30W 2500lm, 3125lm, 3750lm	30W, 35W, 40W 3750lm, 4375lm, 5000lm
2x4	25W, 30W, 34W 3125lm, 3750lm, 4250lm	34W, 38W, 45W 4250lm, 4750lm, 5625lm



ORDERING INFORMATION Example: (14150-22L)

Model	Size Wattage	Options
14150	22-L 2x2 20W, 25W, 30W	EM8 8W Internal Emergency Back-up Battery
	22-H 2x2 30W, 35W, 40W	EM15 15W Internal Emergency Back-up Battery
	24-L 2x4 25W, 30W, 34W	EM20 20W Internal Emergency Back-up Battery
	24-H 2x4 34W, 38W, 45W	



Wattage select & color temperature select switches located on the back of the fixture.

Alcon Lighting 14150 Architectural Color Temperature-Selectable Wattage-Selectable LED Troffer

INTENDED USE

COLOR TEMPERATURE GUIDE

