

Project Name:

Type:

Quantity:

FIXTURE SPECIFICATIONS

INTENDED USE

The specification grade Alcon Lighting 15240 Architectural LED Round Barn Light High Bay Direct Down Light Fixture is the ideal solution for warehouse, gymnasium, or other mid to high-ceiling applications where high output LED lighting is desired.

FEATURES

Construction: Heavy duty spun aluminum alloy

Installation: 96" pendant cord with minimal canopy size
Field-adjustable cord can be shortened to desired length

CRI: 90+

Dimming: ELV/0-10V/TRIAC | Dimmable down to 10% with ELV/0-10V | Dimmable down to 20% with TRIAC.

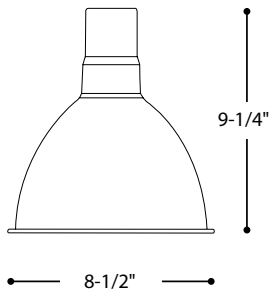
Input Voltage: 120/277V, 50/60Hz

Listings: cULus Listed for damp locations, ENERGY STAR certified, Complies with 2016 Title 24 – part 6, Assembled in the USA

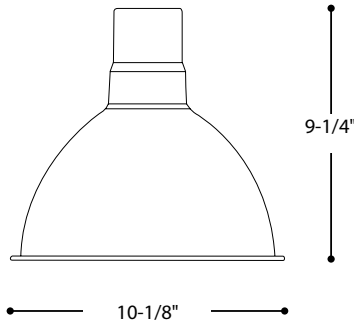
Warranty: 5 years carefree for parts & components
(labor not included)



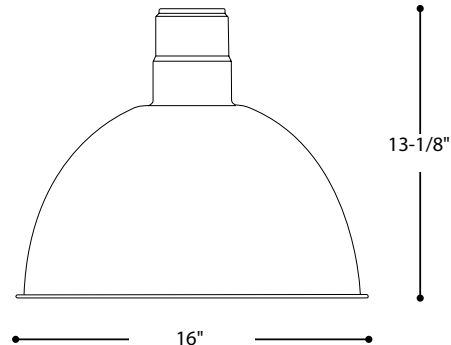
8" Shade



10" Shade



16" Shade



ORDERING INFORMATION Example: (15240-20L-30K-WHWH)

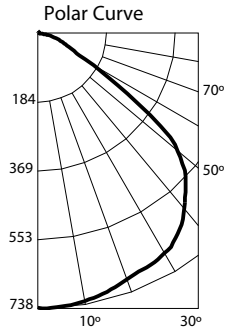
Model	Size	Wattage	Lumens	Color Temp		Shade Finish	
15240	12L	8" 15W	1200lm	30K	3000K	WHWH	White Outer White Inner
	22L	8" 30W	2200lm	35K	3500K	BKWH	Black Outer White Inner
	20L	10" 23W	2000lm	40K	4000K	GMWH	Gun Metal Outer White Inner
	30L	10" 36W	3000lm				
	25L	16" 31W	2500lm				
	38L	16" 48W	3800lm				

Alcon 15240 Deep Dome Architectural LED Round Barn Light High Bay Direct Down Light Fixture

PHOTOMETRY

15240-20L-30K-BKWH

Lumens: 1921lm
 Wattage: 23.1W
 Efficacy: 83lpw
 CCT / CRI: 3000K / 90 CRI
 Spacing Criteria (0°-180): 1.38
 Spacing Criteria (90°-270): 1.38



Illuminance at a Distance

Distance from Luminaire	FC at Nadir	Beam Diameter
4'	46fc	11'-1"
6'	20.4fc	16'-8"
8'	11.5fc	22'-2"
10'	7.4fc	27'-10"
12'	5.1fc	33'-4"

Zonal Lumen Summary

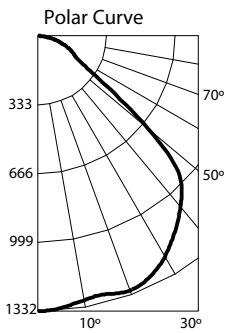
Zone	Lumens	% Luminaire
0-30	591	30.8
0-40	1000	52.1
0-60	1732	90.2
0-90	1906	99.2
90-180	15.5	0.8
0-180	1921	100

Candela Table

Vertical Angles	Candela
0	736
5	734
15	717
25	689
35	657
45	562

15240-30L-30K-BKWH

Lumens: 3223lm
 Wattage: 34.7W
 Efficacy: 93lpw
 CCT / CRI: 3000K / 90 CRI
 Spacing Criteria (0°-180): 1.36
 Spacing Criteria (90°-270): 1.32



Illuminance at a Distance

Distance from Luminaire	FC at Nadir	Beam Diameter
4'	83.3fc	9'-8"
6'	37fc	14'-6"
8'	20.8fc	19'-5"
10'	13.3fc	24'-2"
12'	9.3fc	29'

Zonal Lumen Summary

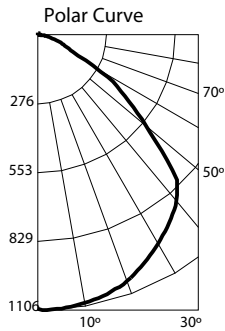
Zone	Lumens	% Luminaire
0-30	1086	33.7
0-40	1812	56.2
0-60	2894	89.8
0-90	3223	100
90-180	0	0
0-180	3223	100

Candela Table

Vertical Angles	Candela
0	1332
5	1321
15	1294
25	1288
35	1159
45	978

15240-25L-30K-BKWH

Lumens: 2654lm
 Wattage: 27.3W
 Efficacy: 97lpw
 CCT / CRI: 3000K / 90 CRI
 Spacing Criteria (0°-180): 1.3
 Spacing Criteria (90°-270): 1.3



Illuminance at a Distance

Distance from Luminaire	FC at Nadir	Beam Diameter
4'	68.8fc	10'-5"
6'	30.6fc	15'-7"
8'	17.2fc	20'-10"
10'	11fc	26'
12'	7.6fc	31'-2"

Zonal Lumen Summary

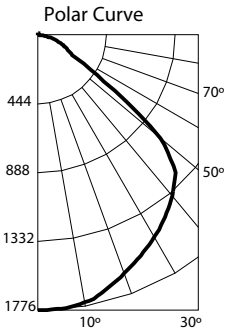
Zone	Lumens	% Luminaire
0-30	868	32.7
0-40	1440	54.3
0-60	2394	90.2
0-90	2633	99.2
90-180	21	0.8
0-180	2654	100

Candela Table

Vertical Angles	Candela
0	1100
5	1094
15	1079
25	998
35	914
45	806

15240-38L-30K-BKWH

Lumens: 4099lm
 Wattage: 50W
 Efficacy: 83lpw
 CCT / CRI: 3000K / 90 CRI
 Spacing Criteria (0°-180): 1.28
 Spacing Criteria (90°-270): 1.26



Illuminance at a Distance

Distance from Luminaire	FC at Nadir	Beam Diameter
6'	111fc	10'-1"
9'	49.3fc	15'-1"
12'	27.7fc	20'-1"
15'	17.7fc	25'-2"
18'	12.3fc	30'-2"

Zonal Lumen Summary

Zone	Lumens	% Luminaire
0-30	1366	33.3
0-40	2257	55.1
0-60	3708	90.5
0-90	4067	99.2
90-180	32	0.8
0-180	4099	100

Candela Table

Vertical Angles	Candela
0	1775
5	1773
15	1697
25	1565
35	1427
45	1252