

the power of dimming

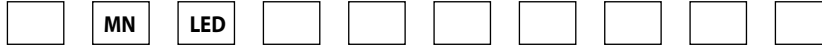


MICRO NITE STAR™

GET A QUOTE >

PROJECT:	
TYPE:	
CATALOG NUMBER:	
SOURCE:	
NOTES:	

CATALOG NUMBER LOGIC



GET A QUOTE >

Example

- MN - LED - e16 - SP - BZW - 12 - 11 - B - 360SL

Material

- Blank - Aluminum
- B - Brass

Series

MN - Micro Nite Star™

Source

LED - 'e' Technology with Integral Dimming Driver (25W min. load when dimmed)
*Requires magnetic Low Voltage dimmer

LED Type

- e37 - 8WLED/2.7K
- e16 - 8WLED/3K
- e17 - 8WLED/4K
- e21 - 8WLED/Amber

Optics*

- SP - Spot (Green Indicator)
- NFL - Narrow Flood (Yellow Indicator)
- FL - Flood (Blue Indicator)

Finish

Aluminum Finish

Powder Coat Color	Satin	Wrinkle
Bronze	BZP	BZW
Black	BLP	BLW
White (Gloss)	WHP	WHW
Aluminum	SAP	—
Verde	—	VER

Brass Finish

Machined	MAC
Polished	POL
Mitique™	MIT

Premium Finish

ABP	Antique Brass Powder	CMG	Cascade Mountain Granite	RMG	Rocky Mountain Granite
AMG	Aleutian Mountain Granite	CRI	Cracked Ice	SDS	Sonoran Desert Sandstone
AQW	Antique White	CRM	Cream	SMG	Sierra Mountain Granite
BCM	Black Chrome	HUG	Hunter Green	TXF	Textured Forest
BGE	Beige	MDS	Mojave Desert Sandstone	WCP	Weathered Copper
BPP	Brown Patina Powder	NBP	Natural Brass Powder	WIR	Weathered Iron
CAP	Clear Anodized Powder	OCF	Old Copper	<i>Also available in RAL Finishes See submittal SUB-1439-00</i>	

Lens Type

- 12 - Soft Focus Lens
- 13 - Rectilinear Lens

Shielding

- 11 - Honeycomb Baffle

Cap Style

- A - 45°
- B - 90°
- C - Flush
- D - 45° less Weep Hole (Interior Use Only)
- E - 90° less Weep Hole (Interior Use Only)

Option

- 360SL - 360SL™ Rotational Knuckle Mounting System

DRIVER DATA

Input Volts	InRush Current	Dimmable	Operation Ambient Temperature
12VAC/DC 50/60Hz	<1A (non-dimmed)	Magnetic Low Voltage Dimmer	-10°F-130°F

LM79 DATA

BK No.	CCT (Typ.)	Input Watts (Typ.)	CRI (Typ.)
e37	2700K	8.3	90
e16	3100K	8.3	90
e17	4100K	8.3	75
e21	Amber (590nm)	7.8	~

L70 DATA

Minimum Rated Life (hrs.) 70% of initial lumens (L70)
50,000
50,000
50,000
50,000

*OPTICAL DATA

Beam Type	Angle	Visual Indicator
Spot	20°	Green Dot
Narrow Flood	25°	Yellow Dot
Flood	30°	Blue Dot

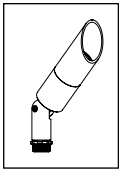
B-K LIGHTING

40429 Brickyard Drive • Madera, CA 93636 • USA
559.438.5800 • FAX 559.438.5900
www.bklighting.com • info@bklighting.com

SUBMITTAL DATE
1-8-14

DRAWING NUMBER
SUB000927

THIS DOCUMENT CONTAINS PROPRIETARY INFORMATION OF B-K LIGHTING, INC. AND ITS RECEIPT OR POSSESSION DOES NOT CONVEY ANY RIGHTS TO REPRODUCE, DISCLOSE ITS CONTENTS, OR TO MANUFACTURE, USE OR SELL ANYTHING IT MAY DESCRIBE. REPRODUCTION, DISCLOSURE OR USE WITHOUT SPECIFIC WRITTEN AUTHORIZATION OF B-K LIGHTING, INC. IS STRICTLY FORBIDDEN.



BKSSL
SOLID STATE LIGHTING

the power of
dimming

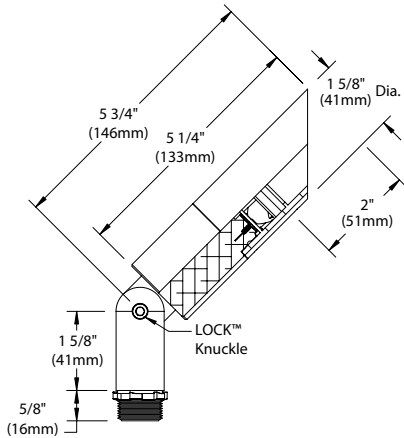


MICRO NITE STAR™

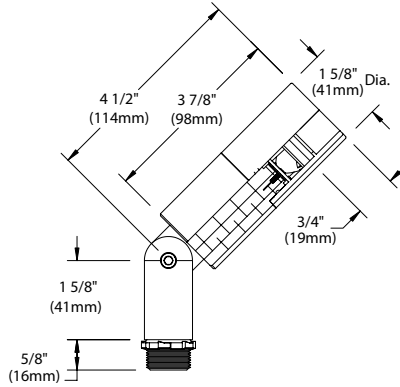
PROJECT:

TYPE:

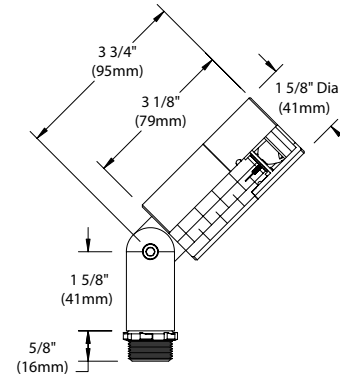
"A/D" CAP



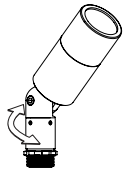
"B/E" CAP



"C" CAP



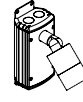
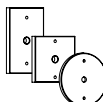
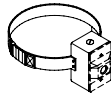
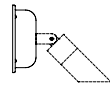
360 SL™



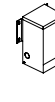
Accessories (Configure separately)

All dimensions indicated on this submittal are nominal. Contact Technical Sales if you require more stringent specifications.

Mounting:



Remote Transformers:



Horizontal Rotation
(Optional 360SL™ Knuckle)

Power Pipe™

Power Canopy™

Tree Strap™

Stems

Canopies

UPM™

TR Series

Power Pipe™

UPMRM™

SPECIFICATIONS

GreenSource Initiative™

Metal and packaging components are made from recycled materials. Manufactured using renewable solar energy, produced onsite. Returnable to manufacturer at end of life to ensure cradle-to-cradle handling. Packaging contains no chlorofluorocarbons (CFC's). Use of this product may qualify for GreenSource efficacy and recycling rebate(s). Consult www.bklighting.com/greensource for program requirements.

Materials

Furnished in Copper-Free Aluminum (Type 6061-T6) or Brass (Type 360).

Body

Fully machined from solid billet. Unibody design provides enclosed, water-proof wireway and integral heat sink for maximum component life. Integral knuckle for maximum mechanical strength. High temperature, silicone 'O' Ring provides water-tight seal.

Knuckle

The LOCK™ (Locking 'O' Ring Compression Knuckle) is comprised of two components. The first is integral to the body and features an interior, machined taper. The second is machined from solid billet and features a second, reverse angle taper. The resultant mechanical taper-lock allows a full 180° vertical adjustment without the use of serrated teeth, which inherently limit aiming. High temperature, silicone 'O' Ring provides water-tight seal and compressive resistance to maintain fixture position. Design withstands 73 lb. static load prior to movement to ensure decades of optical alignment. 1/2" pipe thread for mounting.

Optional 360SL™ additionally provides biaxial source control with 360° horizontal rotation in addition to vertical adjustment.

Cap

Fully machined. Accommodates [1] lens or louver media. Choose from 45° cutoff ('A' or 'D'), 5/8" deep bezel with 90° cutoff ('B' or 'E'), or flush lens ('C') cap styles. 'A' and 'B' caps include weep-hole for water and debris drainage. 'D' and 'E' caps exclude weep-hole and are for interior use only.

Lens

Shock resistant, tempered, glass lens is factory adhered to fixture cap and provides hermetically sealed optical compartment. Specify soft focus (#12) or rectilinear (#13) lens.

BKSSL®

Integrated solid state system with 'e' technology is scalable for field upgrade. Modular design with electrical quick disconnects permit field maintenance. High power, forward throw source complies with ANSI C78.377 binning requirements. Exceeds ENERGY STAR® lumen maintenance requirements. LM-80 certified components.

Integral, constant current driver. 12VAC/VDC input. 50/60Hz. Proprietary input control scheme achieves power factor correction and eliminates inrush current. Output, over-voltage, open-circuit, and short circuit protected. Inrush current limited to <1A (non-dimming). Conforms to Safety Std. C22.2 No. 250.13-12.

Line dimmable. For use with low voltage dimmer with dedicated neutral conductor. Minimum 25 watt load required for dimming.

Optics

Interchangeable OPTIKIT™ modules permit field changes to optical distribution. Color-coded for easy reference: Spot (SP) = Green. Narrow Flood (NFL) = Yellow. Flood (FL) = Blue.

Remote Transformer

For use with 12VAC BKSSL™ remote transformer.

Wiring

Teflon® coated, 18AWG, 600V, 250° C rated and certified to UL 1659 standard.

Hardware

Tamper-resistant, stainless steel hardware. LOCK™ aiming screw is additionally black oxide treated for additional corrosion resistance.

Finish

StarGuard®, our exclusive RoHs compliant, 15 stage chromate-free process cleans and conversion coats aluminum components prior to application of Class 'A' TGIC polyester powder coating. Brass components are available in powder coat or handcrafted metal finish.

Warranty

5 year limited warranty.

Certification and Listing

ITL tested to IESNA LM-79. Lighting Facts Registration per USDOE (www.lightingfacts.com). ETL Listed to ANSI/UL Standard 1838 and UL Standard 8750. Certified to CAN/CSA Standard C22.2 No. 9, CSA TIL B-58B. RoHs compliant. Suitable for indoor or outdoor use. Suitable for use in wet locations. Suitable for installation within 4' of the ground. IP66 Rated. Made in USA.



*Teflon is a registered trademark of DuPont Corporation. *Energy Star is a registered trademark of the United States Environmental Protection Agency.

B-K LIGHTING

40429 Brickyard Drive • Madera, CA 93636 • USA
559.438.5800 • FAX 559.438.5900
www.bklighting.com • info@bklighting.com

SUBMITTAL DATE

1-8-14

DRAWING NUMBER

SUB000927

