

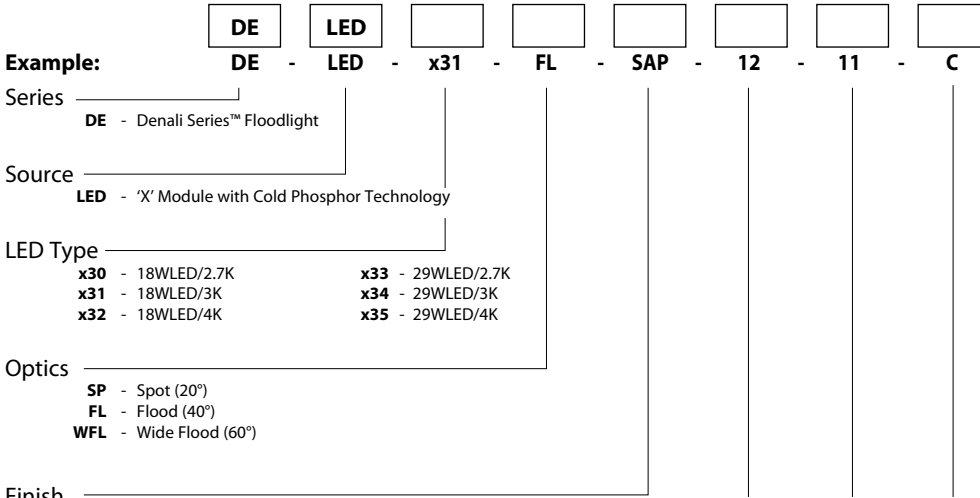
18-29W LED



DENALI SERIES™ FLOODLIGHT

PROJECT:	
TYPE:	
CATALOG NUMBER:	
SOURCE:	
NOTES:	

CATALOG NUMBER LOGIC



GET A QUOTE >

Configure Driver Housing Separately Driver Housing Required

INTEGRAL DRIVER HOUSINGS:

- HP2** - HP2 Housing
- PM2** - Universal Power Module 2
- PM2D** - Universal Power Module 2 Dual
- PC** - Power Canopy
- PPII** - Power Pipe II
- TMB** - Pole Mount or Tenon Mount

REMOTE DRIVER HOUSINGS:

- HP2RM** - HP2 Remote Housing
- PM2RM** - Universal Power Module 2 Remote
- PM2DRM** - Universal Power Module 2 Dual Remote
- RM** - Remote Wall Mount
- DRM** - Dual Remote Wall Mount

Aluminum Finish

Powder Coat Color	Satin	Wrinkle
Bronze	BZP	BZW
Black	BLP	BLW
White (Gloss)	WHP	WHW
Aluminum	SAP	—
Verde	—	VER

Premium Finish

ABP Antique Brass Powder	CMG Cascade Mountain Granite	RMG Rocky Mountain Granite
AMG Aleutian Mountain Granite	CRI Cracked Ice	SDS Sonoran Desert Sandstone
AQW Antique White	CRM Cream	SMG Sierra Mountain Granite
BCM Black Chrome	HUG Hunter Green	TXF Textured Forest
BGE Beige	MDS Mojave Desert Sandstone	WCP Weathered Copper
BPP Brown Patina Powder	NBP Natural Brass Powder	WIR Weathered Iron
CAP Clear Anodized Powder	OCP Old Copper	<i>Also available in RAL Finishes See submittal SUB-1439-00</i>

Lens Type **9** - Clear (Standard) **10** - Spread Lens* **12** - Soft Focus Lens* **13** - Rectilinear Lens*

Shielding **11** - Honeycomb Baffle*

*Accommodates up to 2 Lens/Shielding media

Cap Style **A** - 45° **B** - 90° **C** - Flush **D** - 45° less Weep Hole (Interior Use Only) **E** - 90° less Weep Hole (Interior Use Only)

LM79 DATA

BK No.	Lumens (Source)	CCT (Typ.)	CRI (Ra. Typ.)	Color Consistency	Input Watts (Typ.)
x30	1300	2700K	>80	±40K	18
x31	1300	3000K	>80	±50K	18
x32	1300	4000K	>80	±70K	18
x33	2000	2700K	>80	±40K	29
x34	2000	3000K	>80	±50K	29
x35	2000	4000K	>80	±70K	29

L70 DATA

Minimum Rated Life (hrs.) 70% of initial lumens (L70)
50,000
50,000
50,000
50,000
50,000
50,000

OPTICAL DATA

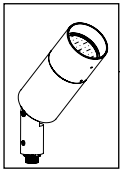
Beam Type	Angle
Spot	20°
Flood	40°
Wide Flood	60°

B-K LIGHTING

40429 Brickyard Drive • Madera, CA 93636 • USA
 559.438.5800 • FAX 559.438.5900
 www.bklighting.com • info@bklighting.com

SUBMITTAL DATE
12-16-14

DRAWING NUMBER
SUB001113

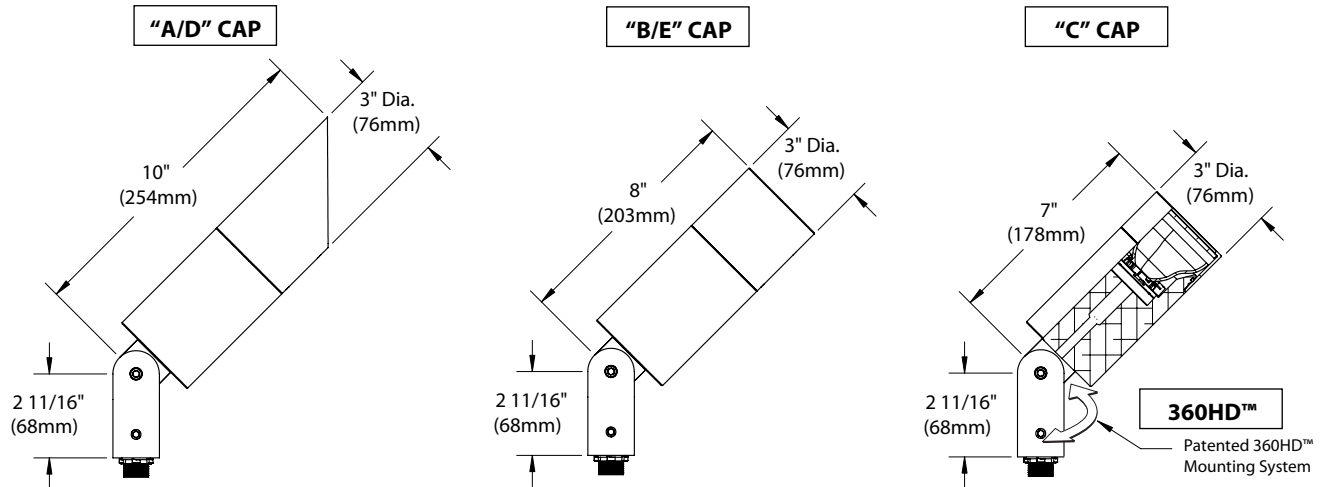


18-29W LED



DENALI SERIES™ FLOODLIGHT

PROJECT:	
TYPE:	

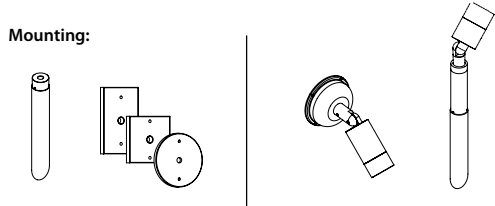


All dimensions indicated on this submittal are nominal. Contact Technical Sales if you require more stringent specifications.

Accessories (Configure separately)

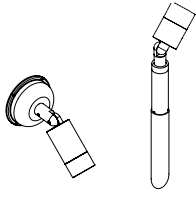
Drivers (Configure separately)

Mounting:

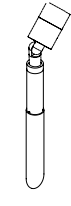


Power Pipe™

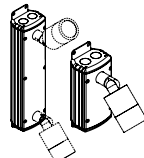
Canopies



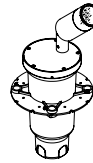
Power Canopy™



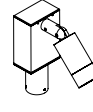
Power Pipe™



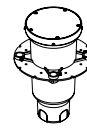
PM2D & PM2



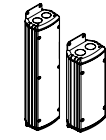
HP2



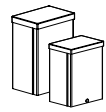
TMB



HP2RM



PM2DRM & PM2RM



RM & DRM

Drivers:

SPECIFICATIONS

GreenSource Initiative™

Metal and packaging components are made from recycled materials. Manufactured using renewable solar energy, produced on site. Returnable to manufacturer at end of life to ensure cradle-to-cradle handling. Packaging contains no chlorofluorocarbons (CFC's). Use of this product may qualify for GreenSource efficacy and recycling rebate(s). Consult www.bklighting.com/greensource for program requirements.

Materials

Furnished in Copper-Free Aluminum (Type 6061-T6).

Body

Fully machined from solid billet. Unibody design provides enclosed, water-proof wireway and integral heat sink for maximum component life. Integral knuckle for maximum mechanical strength. High temperature, silicone 'O' Ring provides water-tight seal.

Knuckle

Patented 360HD™ Mounting System features a mechanical taper-lock, which allows a full 180° vertical adjustment without the use of serrated teeth, which inherently limit aiming. High temperature, silicone 'O' Ring provides water-tight seal and compressive resistance to maintain fixture position. Design withstands 73 lb. static load prior to movement to ensure decades of optical alignment. 1/2" pipe thread for mounting. Biaxial source control additionally provides 360° horizontal rotation in addition to vertical adjustment. 'Aim-And-Lock' Technology allows precision adjustment without the redundant tightening and loosening of knuckle screw.

Cap

Fully machined. Accommodates [2] lens or louver media. Choose from 45° cutoff ('A' or 'D'), 1" deep bezel with 90° cutoff ('B' or 'E') or flush lens ('C') cap styles. 'A' and 'B' caps include weep-hole for water and debris drainage. 'D' and 'E' caps exclude weep-hole and are for interior use only.

Lens

Shock resistant, tempered, glass lens is factory adhered to fixture cap and provides hermetically sealed optical compartment.

BKSSL®

Integrated solid state system with 'x' technology is scalable for field upgrade. Modular design with electrical quick disconnects permit field maintenance.

LM-80 certified. Minimum 50,000 hour rated life at 70% of initial lumens (L70). BKSSL technology provides long life, significant energy reduction and exceptional thermal management.

Color Management

Corrected cold phosphor technology delivers near-perfect natural white light. Long term phosphor maintenance over product life. Exact color point conformity exceeds ANSI C78.377 standard. Provides uniform beam with no color variation over angle. Module exceeds 80 CRI (RA>80, R9>16).

Remote Driver

For use with remote LED driver. See remote driver submittal to determine remote distance and wiring requirements prior to detailing field installation of any remote wiring.

Optics

Interchangeable OPTIKIT™ modules permit field changes to optical distribution.

Wiring

Teflon® coated, 18AWG, 600V, 250° C rated and certified to UL 1659 standard.

Hardware

Tamper-resistant, stainless steel hardware. 360HD™ hardware is additionally black oxide treated for additional corrosion resistance.

Finish

StarGuard®, our exclusive RoHS compliant, 15 stage chromate-free process cleans and conversion coats aluminum components prior to application of Class 'A' TGIC polyester powder coating.

Warranty

5 year limited warranty.

Certification and Listing

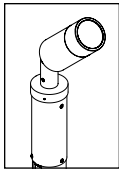
ITL tested to IESNA LM-79. Lighting Facts Registration per USDOE (www.lightingfacts.com). ETL Listed to ANSI/UL Standards 1598, 8750 and Certified to CAN/CSA Standard C22.2 No. 250. RoHS compliant. Suitable for indoor or outdoor use. Suitable for use in wet locations. Additionally suitable for installation within 4' of the ground. IP66 Rated. Made in USA.



*Teflon is a registered trademark of DuPont Corporation.
*Energy Star is a registered trademark of the United States Environmental Protection Agency.

B-K LIGHTING	40429 Brickyard Drive • Madera, CA 93636 • USA 559.438.5800 • FAX 559.438.5900 www.bklighting.com • info@bklighting.com	SUBMITTAL DATE	DRAWING NUMBER
		12-16-14	SUB001113

360HD Patent is covered in whole or in part by U.S. Patent No. 6,161,948



Constant Current Driver

THE POWER OF



POWER PIPE II™ SYSTEM

PROJECT:	
TYPE:	
CATALOG NUMBER:	
SOURCE:	
NOTES:	

CATALOG NUMBER LOGIC



Example

PPII - S12 - D18INC - B - 120 - SF

Series

PPII - Power Pipe II™ System
(Specify Fixture Separately)

Type

S12 - 12" Stake*
J12 - 12" Junction Box*
S18 - 18" Stake*
J18 - 18" Junction Box*

* Includes 12" or 18" Power Pipe with Driver Housing

Driver Type

For use with Incandescent Dimmer. 120V only for Dimming:

D18INC - 18W Dimming Driver
D29INC - 29W Dimming Driver

Cap Style

B - Single Hole Cap

Input Voltage

MT - 120-277 VAC Input

Options

SF - Stability Flange

DRIVER ELECTRICAL DATA

TYPE	AC INPUT RANGE	Frequency Hz	DIMMING	POWER FACTOR AT FULL LOAD	THD	OPER. AMBIENT TEMPERATURE	DIMMER TYPE	DIMMER RANGE
D18INC	120-277	50/60	YES	>0.94	≤5%	-30° C ~ 50° C	Incandescent	10-100%
D29INC	120-277	50/60	YES	>0.94	≤5%	-30° C ~ 50° C	Incandescent	10-100%

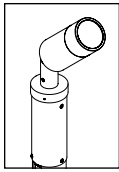
B-K LIGHTING

40429 Brickyard Drive • Madera, CA 93636 • USA
559.438.5800 • FAX 559.438.5900
www.bklighting.com • info@bklighting.com

SUBMITTAL DATE
12-16-14

DRAWING NUMBER
SUB001126

THIS DOCUMENT CONTAINS PROPRIETARY INFORMATION OF B-K LIGHTING, INC. AND ITS RECEIPT OR POSSESSION DOES NOT CONVEY ANY RIGHTS TO REPRODUCE, DISCLOSE ITS CONTENTS, OR TO MANUFACTURE, USE OR SELL ANYTHING IT MAY DESCRIBE. REPRODUCTION, DISCLOSURE OR USE WITHOUT SPECIFIC WRITTEN AUTHORIZATION OF B-K LIGHTING, INC. IS STRICTLY FORBIDDEN.



BKSSL
SOLID STATE LIGHTING

Constant Current Driver

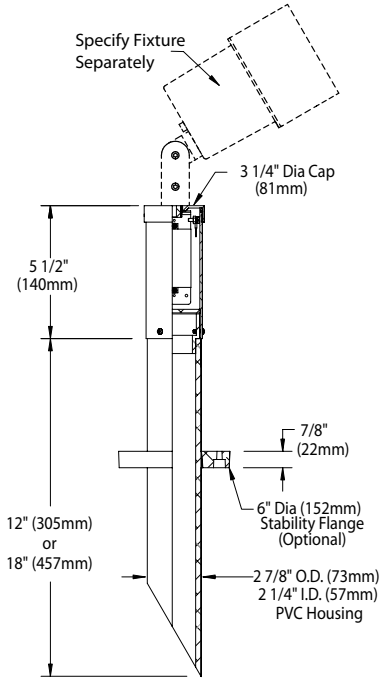


POWER PIPE II™ SYSTEM

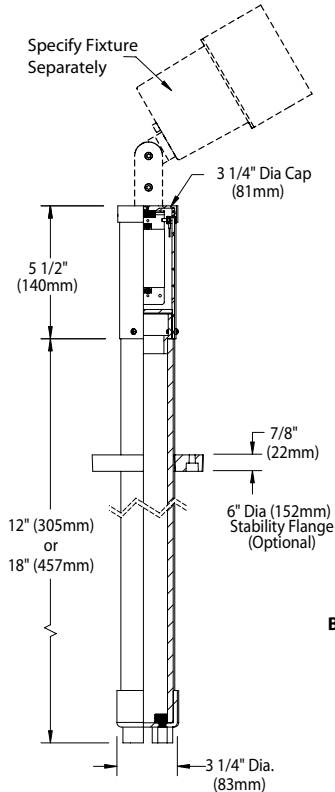
PROJECT:

TYPE:

STAKE (S)

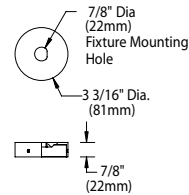


JUNCTION (J)

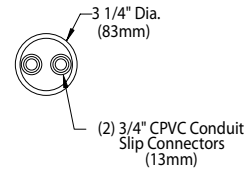


CAP STYLE

'B' Cap (Single Hole)



Bottom View of "J"



All dimensions indicated on this submittal are nominal. Contact Technical Sales if you require more stringent specifications.

SPECIFICATIONS

GreenSource Initiative™

Metal and packaging components are made from recycled materials. Manufactured using renewable solar energy, produced on site. Returnable to manufacturer at end of life to ensure cradle-to-cradle handling. Packaging contains no chlorofluorocarbons (CFC's). Use of this product may qualify for GreenSource efficacy and recycling rebate(s). Consult www.bklighting.com/greensource for program requirements.

Installation

Provides a clean, architectural transition from wiring system to fixture. 2" Schedule 80 PVC pipe. For direct burial into soil or concrete. Available in 12" or 18" length. Available in two installation types:

Stake (Type S)

60° angled bottom designed for use with conduit.

Junction Box (Type J)

Includes [2] 3/4" PVC slip connectors for branch circuit wiring.

Stability Flange

Optional 6" diameter, molded stability flange simplifies installation and projects into substrate to simplify installation and reinforce housing stability.

Cap Style

Machined from copper-free aluminum. Single Hole ('B') cap styles.

Driver Housing

Fully machined from copper-free aluminum. Stainless steel hardware. High temperature, silicone 'O' Ring provides watertight seal.

Driver

For use with 1.05A (D18, D29), Class A, constant current driver. 120-277VAC (nominal) primary input voltage. 50/60Hz. >0.94 Power Factor, <15.0A in-rush current, 0.25A input current, ≤5%THD (nominal at 120VAC full load). Output over-voltage, over-current, and short circuit protection with auto recovery. EMC: FCC47CFR Part 15 Class B compliant. Dimming driver for use with standard incandescent dimmers. 10-100% range.

Wiring

Teflon® coated wire, 18AWG, 600V, 250° C rated and certified to UL 1659 standard.

Hardware

Tamper resistant, stainless steel hardware.

Finish

StarGuard®, our exclusive RoHs compliant, 15 stage chromate-free process cleans and conversion coats aluminum components prior to application of Class 'A' TGIC polyester powder coating. Finish to match fixture (specified separately.)

Warranty

5 year limited warranty.

Listings

ETL listed. Made in USA.



*Teflon is a registered trademark of DuPont Corporation

B-K LIGHTING

40429 Brickyard Drive • Madera, CA 93636 • USA
559.438.5800 • FAX 559.438.5900
www.bklighting.com • info@bklighting.com

SUBMITTAL DATE
12-16-14

DRAWING NUMBER
SUB001126

Denali Series™ - Flood

LED lighting facts®
A Program of the U.S. DOE

Light Output (Lumens)	616
Watts	17.7
Lumens per Watt (Efficacy)	34

Color Accuracy Color Rendering Index (CRI)	79
---	----

Light Color
Correlated Color Temperature (CCT) **2556 (Warm White)**

2700K 3000K 4500K 6500K

All results are according to IESNA LM-79-2008: Approved Method for the Electrical and Photometric Testing of Solid-State Lighting. The U.S. Department of Energy (DOE) verifies product test data and results.

Visit www.lightingfacts.com for the **Label Reference Guide**.

Registration Number: GCXY-D8PLTG (10/24/2011)
Model Number: DE-LED-X21-FL-9-C
Type: Other

Denali Series™

LED lighting facts®
A Program of the U.S. DOE

Light Output (Lumens)	603
Watts	17.5
Lumens per Watt (Efficacy)	34

Color Accuracy Color Rendering Index (CRI)	81
---	----

Light Color
Correlated Color Temperature (CCT) **2918 (Warm White)**

2700K 3000K 4500K 6500K

All results are according to IESNA LM-79-2008: Approved Method for the Electrical and Photometric Testing of Solid-State Lighting. The U.S. Department of Energy (DOE) verifies product test data and results.

Visit www.lightingfacts.com for the **Label Reference Guide**.

Registration Number: GCXY-GCEYF3 (10/24/2011)
Model Number: DE-LED-X22-FL-9-C
Type: Other

Denali Series™ - Flood

LED lighting facts®
A Program of the U.S. DOE

Light Output (Lumens)	642
Watts	17.9
Lumens per Watt (Efficacy)	35

Color Accuracy Color Rendering Index (CRI)	81
---	----

Light Color
Correlated Color Temperature (CCT) **3919 (Bright White)**

2700K 3000K 4500K 6500K

All results are according to IESNA LM-79-2008: Approved Method for the Electrical and Photometric Testing of Solid-State Lighting. The U.S. Department of Energy (DOE) verifies product test data and results.

Visit www.lightingfacts.com for the **Label Reference Guide**.

Registration Number: GCXY-H2G16L (10/24/2011)
Model Number: DE-LED-X23-FL-9-C
Type: Other

Denali Series™ - Spot

LED lighting facts®
A Program of the U.S. DOE

Light Output (Lumens)	649
Watts	17.9
Lumens per Watt (Efficacy)	36

Color Accuracy Color Rendering Index (CRI)	81
---	----

Light Color
Correlated Color Temperature (CCT) **3999 (Bright White)**

2700K 3000K 4500K 6500K

All results are according to IESNA LM-79-2008: Approved Method for the Electrical and Photometric Testing of Solid-State Lighting. The U.S. Department of Energy (DOE) verifies product test data and results.

Visit www.lightingfacts.com for the **Label Reference Guide**.

Registration Number: GCXY-BM6YSA (10/24/2011)
Model Number: DE-LED-X23-SP-9-C
Type: Other

Denali Series™ - Wide Flood

LED lighting facts®
A Program of the U.S. DOE

Light Output (Lumens)	672
Watts	17.9
Lumens per Watt (Efficacy)	37

Color Accuracy Color Rendering Index (CRI)	81
---	----

Light Color
Correlated Color Temperature (CCT) **3951 (Bright White)**

2700K 3000K 4500K 6500K

All results are according to IESNA LM-79-2008: Approved Method for the Electrical and Photometric Testing of Solid-State Lighting. The U.S. Department of Energy (DOE) verifies product test data and results.

Visit www.lightingfacts.com for the **Label Reference Guide**.

Registration Number: GCXY-DNDGMK (10/24/2011)
Model Number: DE-LED-X23-WFL-9-C
Type: Other

Denali Series™ - Flood

LED lighting facts®
A Program of the U.S. DOE

Light Output (Lumens)	927
Watts	28.2
Lumens per Watt (Efficacy)	32

Color Accuracy Color Rendering Index (CRI)	79
---	----

Light Color
Correlated Color Temperature (CCT) **2677 (Warm White)**

2700K 3000K 4500K 6500K

All results are according to IESNA LM-79-2008: Approved Method for the Electrical and Photometric Testing of Solid-State Lighting. The U.S. Department of Energy (DOE) verifies product test data and results.

Visit www.lightingfacts.com for the **Label Reference Guide**.

Registration Number: GCXY-548M1Y (10/24/2011)
Model Number: DE-LED-X24-FL-9-C
Type: Other

Denali Series™ - Flood

LED lighting facts®
A Program of the U.S. DOE

Light Output (Lumens)	918
Watts	28.7
Lumens per Watt (Efficacy)	32

Color Accuracy Color Rendering Index (CRI)	82
---	----

Light Color
Correlated Color Temperature (CCT) **2899 (Warm White)**

Warm White | Bright White | Daylight
2700K | 3000K | 4500K | 6500K

Warranty** Yes

All results, except LED Lumen Maintenance, are according to IESNA LM-79-2008: Approved Method for the Electrical and Photometric Testing of Solid-State Lighting. The U.S. Department of Energy (DOE) verifies product test data and results.

Visit www.lightingfacts.com for the Label Reference Guide.

Registration Number: GCXV-XFL72D (Revised 10/25/2011)
Model Number: DE-LED-X25-FL-9-C
Type: Other

Denali Series™ - Flood

LED lighting facts®
A Program of the U.S. DOE

Light Output (Lumens)	954
Watts	28.5
Lumens per Watt (Efficacy)	33

Color Accuracy Color Rendering Index (CRI)	82
---	----

Light Color
Correlated Color Temperature (CCT) **3972 (Bright White)**

Warm White | Bright White | Daylight
2700K | 3000K | 4500K | 6500K

Warranty** Yes

All results, except LED Lumen Maintenance, are according to IESNA LM-79-2008: Approved Method for the Electrical and Photometric Testing of Solid-State Lighting. The U.S. Department of Energy (DOE) verifies product test data and results.

** See www.lightingfacts.com/products for details.

Registration Number: GCXV-PMJYG7 (5/30/2012)
Model Number: DE-LED-X26-FL-9-C
Type: Other

Denali Series™ - Spot

LED lighting facts®
A Program of the U.S. DOE

Light Output (Lumens)	971
Watts	28.5
Lumens per Watt (Efficacy)	34

Color Accuracy Color Rendering Index (CRI)	82
---	----

Light Color
Correlated Color Temperature (CCT) **4043 (Bright White)**

Warm White | Bright White | Daylight
2700K | 3000K | 4500K | 6500K

Warranty** Yes

All results, except LED Lumen Maintenance, are according to IESNA LM-79-2008: Approved Method for the Electrical and Photometric Testing of Solid-State Lighting. The U.S. Department of Energy (DOE) verifies product test data and results.

** See www.lightingfacts.com/products for details.

Registration Number: GCXV-VLXJVG (5/30/2012)
Model Number: DE-LED-X26-SP-9-C
Type: Other

Denali Series™ - Spot Rectilinear

LED lighting facts®
A Program of the U.S. DOE

Light Output (Lumens)	1027
Watts	28.5
Lumens per Watt (Efficacy)	36

Color Accuracy Color Rendering Index (CRI)	82
---	----

Light Color
Correlated Color Temperature (CCT) **4014 (Bright White)**

Warm White | Bright White | Daylight
2700K | 3000K | 4500K | 6500K

Warranty** Yes

All results, except LED Lumen Maintenance, are according to IESNA LM-79-2008: Approved Method for the Electrical and Photometric Testing of Solid-State Lighting. The U.S. Department of Energy (DOE) verifies product test data and results.

** See www.lightingfacts.com/products for details.

Registration Number: GCXV-4H11T8 (5/30/2012)
Model Number: DE-LED-X26-SP-13-C
Type: Other

Denali Series™ - Wide Flood

LED lighting facts®
A Program of the U.S. DOE

Light Output (Lumens)	1005
Watts	28.5
Lumens per Watt (Efficacy)	35

Color Accuracy Color Rendering Index (CRI)	83
---	----

Light Color
Correlated Color Temperature (CCT) **4005 (Bright White)**

Warm White | Bright White | Daylight
2700K | 3000K | 4500K | 6500K

Warranty** Yes

All results, except LED Lumen Maintenance, are according to IESNA LM-79-2008: Approved Method for the Electrical and Photometric Testing of Solid-State Lighting. The U.S. Department of Energy (DOE) verifies product test data and results.

** See www.lightingfacts.com/products for details.

Registration Number: GCXV-XKPAH1 (5/30/2012)
Model Number: DE-LED-X26-WLF-9-C
Type: Other