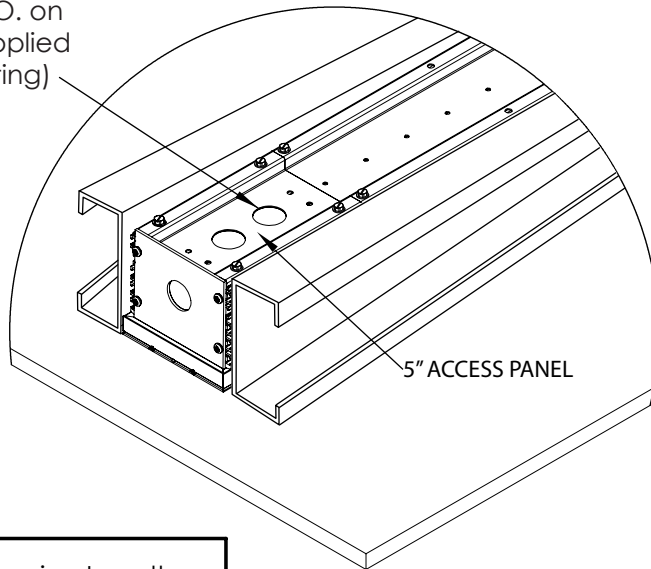




INSTRUCTION SHEET

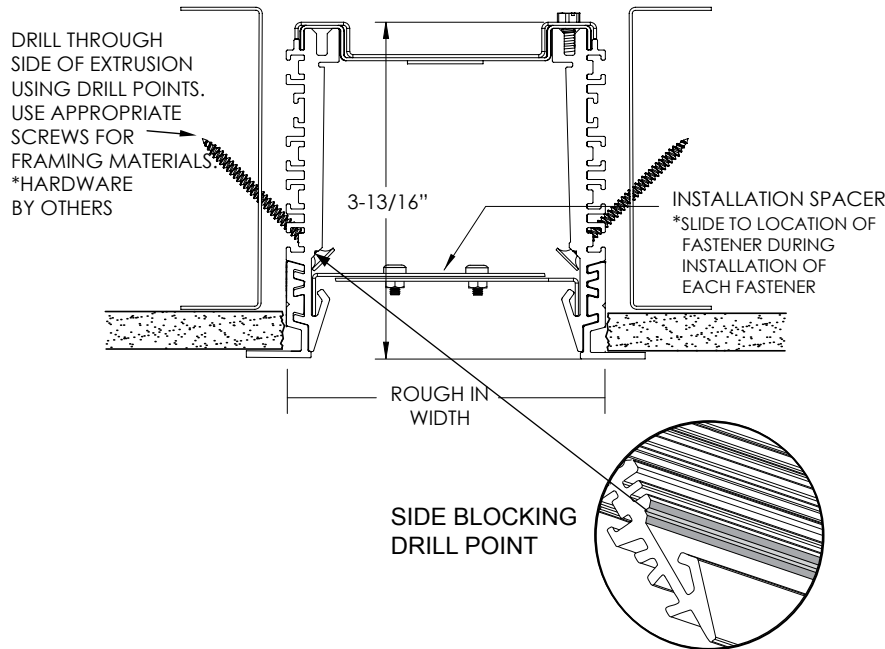
Installation Guide

1/2" K.O. (3/8" K.O. on 165 with factory supplied 3/8" flex conduit fitting)



Rough-In Dimension Length
Contact factory for lengths

Rough-In Dimension Width
325 - 4.0" | 225 - 3.0" | 165 - 2.5"



Secure fixture to structure following instructions below:

1. Remove lens and internal reflector and set aside in a safe location. Bring conduit through back of fixture (via access panels) or through end-cap of first fixture (if installing in continuous rows).
2. Slide fixture through roughed opening in finished surface. Pre-drill 3/16" countersunk hole into drill point as shown in illustration.
3. Pay special attention to ensure screws are not over-tightened when installing fasteners and not so tight as to warp the fixture. During installation of fasteners, use the ***Installation Spacer** as a guide by sliding it down the length of fixture (between fixture and structure) to correctly align the lens opening.
4. When installing continuous runs, thru-wire the fixtures using the appropriate gauge of wire. Use pinch brackets and alignment splines (installed on fixture) to join together when aligning adjacent fixtures.
5. After fixtures are secure to structure, remove Installation Spacer and install the internal reflector and lamps. Reinstall lens to ensure proper fit. NOTE: If lens is loose or does not fit, repeat Step 3 and ensure screws are not over-tightened and Installation Spacer is installed correctly.
6. Re-install lens to ensure proper fit and complete wire make-up.

* Leave installation spacer inside fixture to prevent deformation during installation.

Note: To be installed by a qualified electrician per N.E.C. and all local codes.

Additional support to structural member may be required. Check with local building codes for requirements

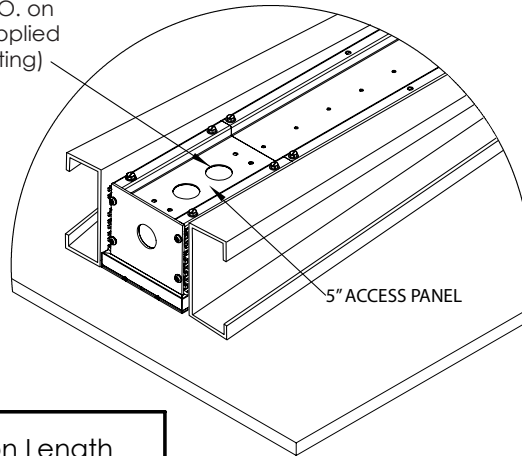
V-0213



INSTRUCTION SHEET

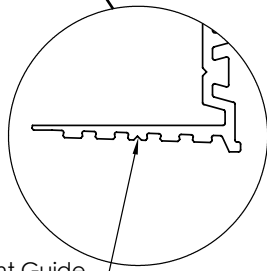
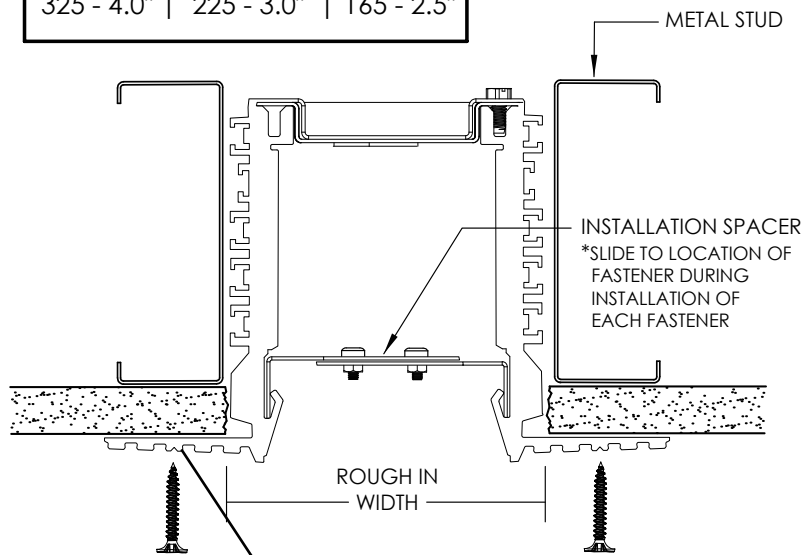
Installation Guide

1/2" K.O. (3/8" K.O. on 165 with factory supplied 3/8" flex conduit fitting)



Rough-In Dimension Length
Contact factory for lengths

Rough-In Dimension Width
325 - 4.0" | 225 - 3.0" | 165 - 2.5"



Drill 3/16" Countersunk hole and screw drywall screws through mud flange. Use Screws suitable for .035 metal studs

Drill Point Guide

Secure fixture to structure following instructions below:

1. Remove lens and internal reflector and set aside in a safe location. Bring conduit through back of fixture (via access panels) or end-cap of first fixture (if installing in continuous rows).
2. Drill 3/16" countersink hole through drill point shown in illustration. Ensure that mounting screws are driven in straight and not at an angle. During installation of fasteners, slide the Installation Spacer down the length of fixture immediately adjacent to location of fastener to ensure correctly shaped lens opening.
NOTE: Leave installation spacer inside fixture to prevent deformation during installation. Pay special attention to ensure screws are straight when installing fasteners.
3. When installing continuous runs, thru-wire the fixtures using the appropriate gauge of wire. Use pinch brackets and alignment splines (installed on fixture) to join together runs when aligning adjacent fixtures.
4. After fixtures are secured to structure, remove the Installation Spacer and install the internal reflector and lamps. Reinstall lens to ensure proper fit.
NOTE: If lens is loose or does not fit, ensure screws are straight and Installation Spacer is installed correctly.
5. After confirming proper lens engagement, remove lens and set aside while completing the mud-over process.
NOTE: Cover inside of fixture to prevent debris from entering the fixture or lens engagement area. Re-test lens engagement.
6. Complete finish and painting of mud-over surface. Reinstall lens; ensuring proper fit. Re-install lens to ensure proper fit.

Note: To be installed by a qualified electrician per N.E.C. and all local codes.

Additional support to structural member may be required. Check with local building codes for requirements

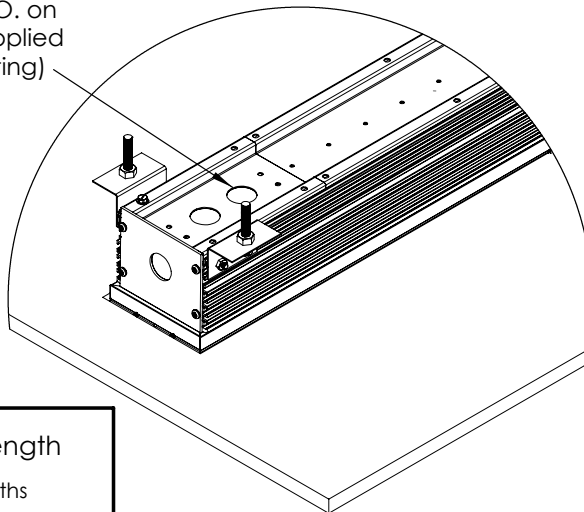
V-0213



INSTRUCTION SHEET

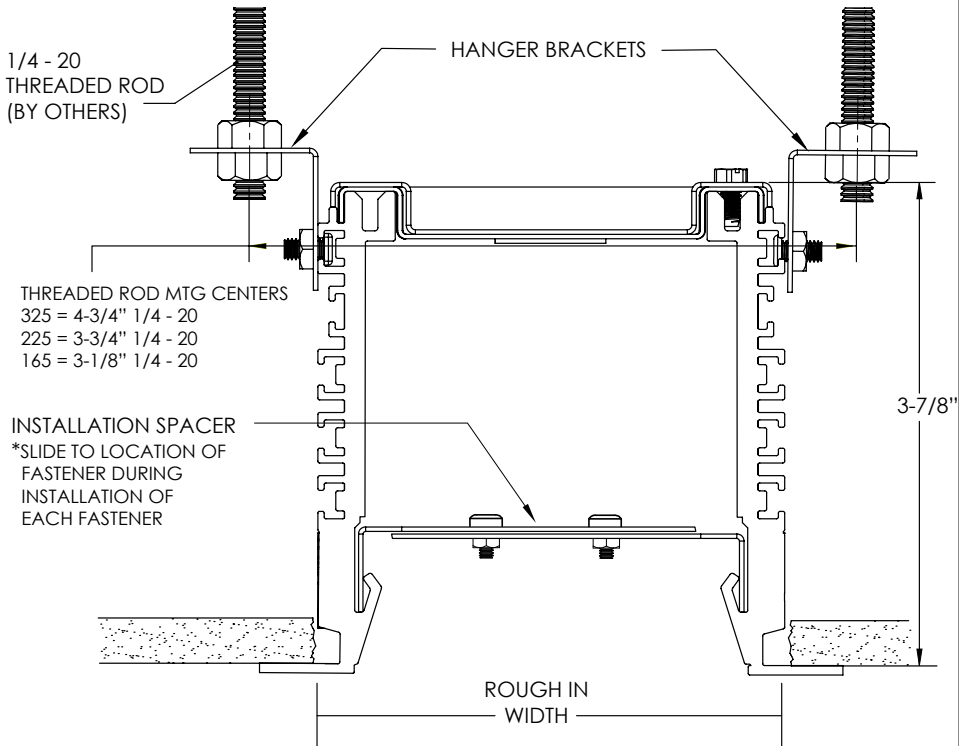
Installation Guide

1/2" K.O. (3/8" K.O. on 165 with factory supplied 3/8" flex conduit fitting)



Rough-In Dimension Length
Contact factory for lengths

Rough-In Dimension Width
325 - 4.0" | 225 - 3.0" | 165 - 2.5"



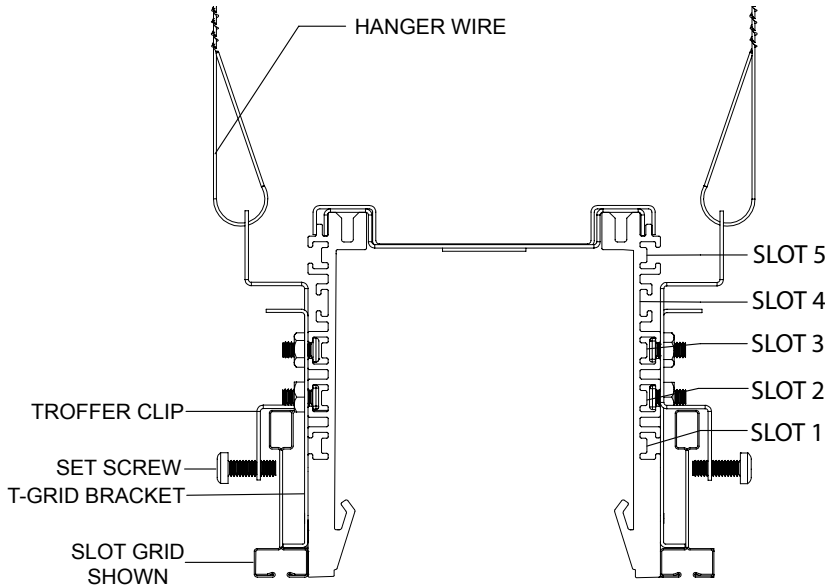
1. Slide fixture through roughed opening in mounting (finished) surface.
2. Slide 2-studs per Hanger Mounting Bracket into Slot
5. Secure Hanger Mounting Brackets to fixture housing with provided 8-32 hex nuts.
3. Attach 1/4-20 threaded rod to Hanger Mounting brackets to suspend fixture at desired AFF. If preferred (not shown) fixture can be secured to structure with fasteners (supplied by others) via the Hanger Mounting brackets, or through the back of the fixture body.
NOTE: Leave installation spacer inside fixture to prevent deformation during installation. If installing fixtures directly to structure, be careful not to damage the ballast/driver (which may be moved if necessary via the fixture access panel).
4. Remove lens and internal reflector and set aside in a safe location. Bring conduit through back of fixture (via access panel) or end-cap of first fixture (if continuous run installation).
5. When installing continuous runs, thru-wire the fixtures using the appropriate gauge of wire. Use pinch brackets and alignment splines (installed on fixture) to join sections together when aligning adjacent fixtures.
6. After fixtures are secure to structure, remove Installation Spacer and replace the internal reflector and lamps. Reinstall lens to ensure proper fit.

Note: To be installed by a qualified electrician per N.E.C. and all local codes. Additional support to structural member may be required. Check with local building codes for requirements

V-0114

INSTRUCTION SHEET

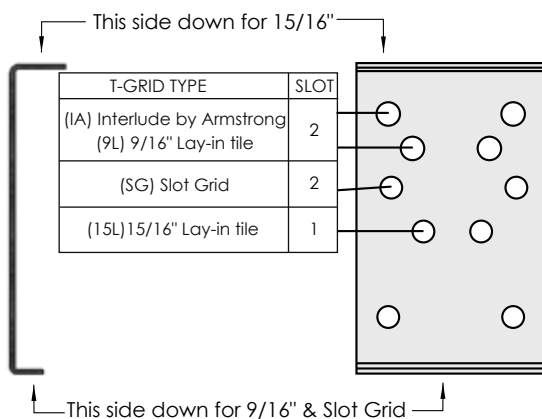
Installation Guide



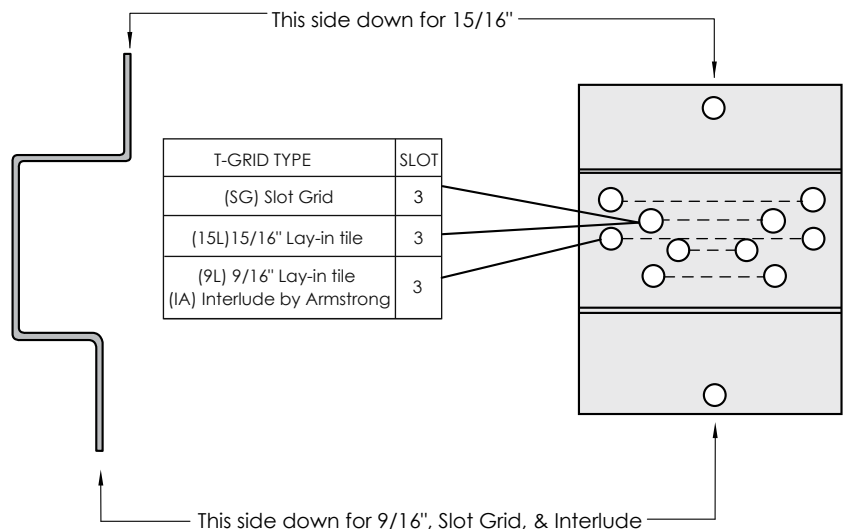
T-Grid Widths	9/16"	15/16"
325	4-3/8"	4-3/4"
225	3-3/8"	3-3/4"
165	2-15/16"	3-5/16"

1. Slide 2-studs per T-Grid Bracket into appropriate Slot (see chart below). Slip T-Grid Bracket over studs through proper holes and in proper orientation depending upon specified Trim width/style and tighten with provided 8-32 hex nuts.
2. Slide 2-studs per Troffer Clip into Slot 3. Slip Troffer Clip over studs through proper holes and in proper orientation depending upon specified Trim width/style and tighten with provided 8-32 hex nuts.

T-Grid Bracket



Troffer Clip



Note: To be installed by a qualified electrician per N.E.C. and all local codes.

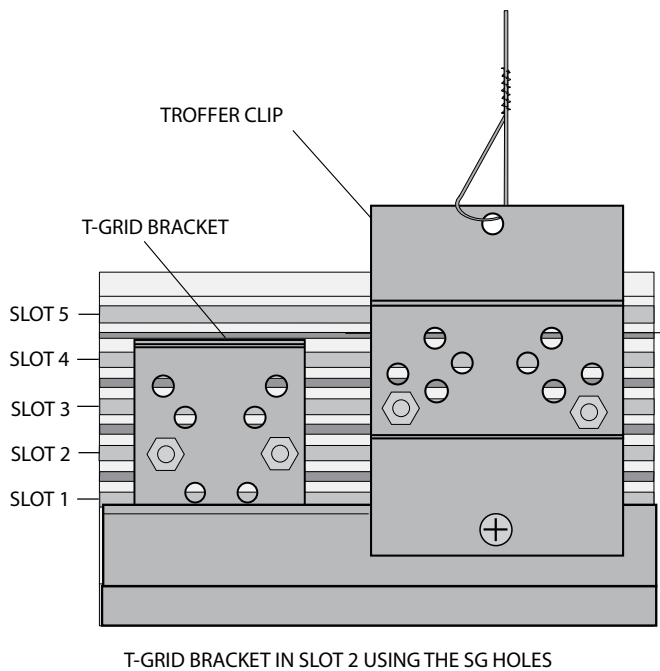
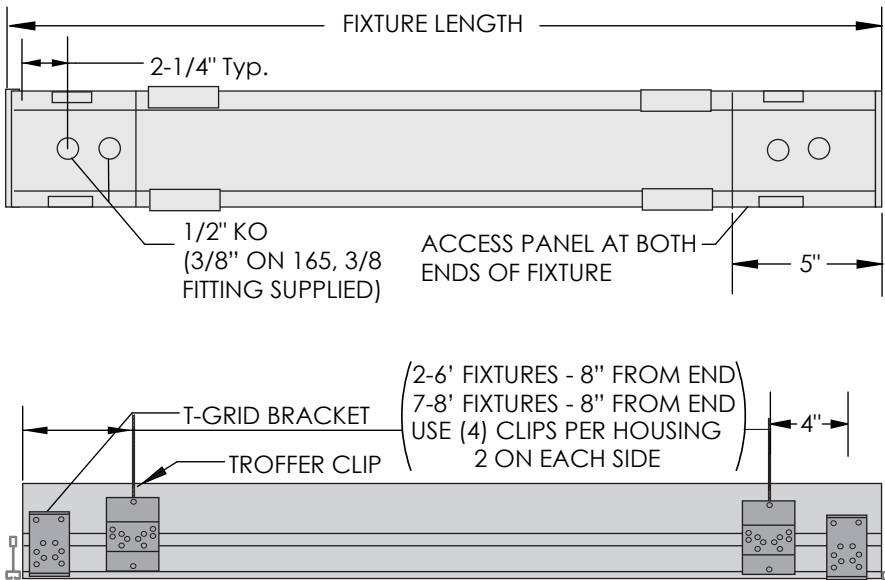
Additional support to structural member may be required. Check with local building codes for requirements

V-1113



INSTRUCTION SHEET

Installation Guide



3. Attach hanger wire (by others) to Troffer Clip to support fixture. Tighten troffer clip set screw to ensure fixture is secure to T-grid and cannot lift off. NOTE: Do not over-tighten as this will warp T-grid and potentially warp fixture, causing lens engagement failure.
4. Remove lens and internal reflector and set aside in a safe location. Bring conduit through back of fixture (via access panels) or end-cap of first fixture (if continuous run installation).
5. When installing continuous runs, thru-wire the fixtures using the appropriate gauge of wire. Use pinch brackets and alignment splines (installed on fixture) to join together when aligning adjacent fixtures.
6. Re-install internal reflector, lamp and lens. Complete wire make-up.

Note: To be installed by a qualified electrician per N.E.C. and all local codes.

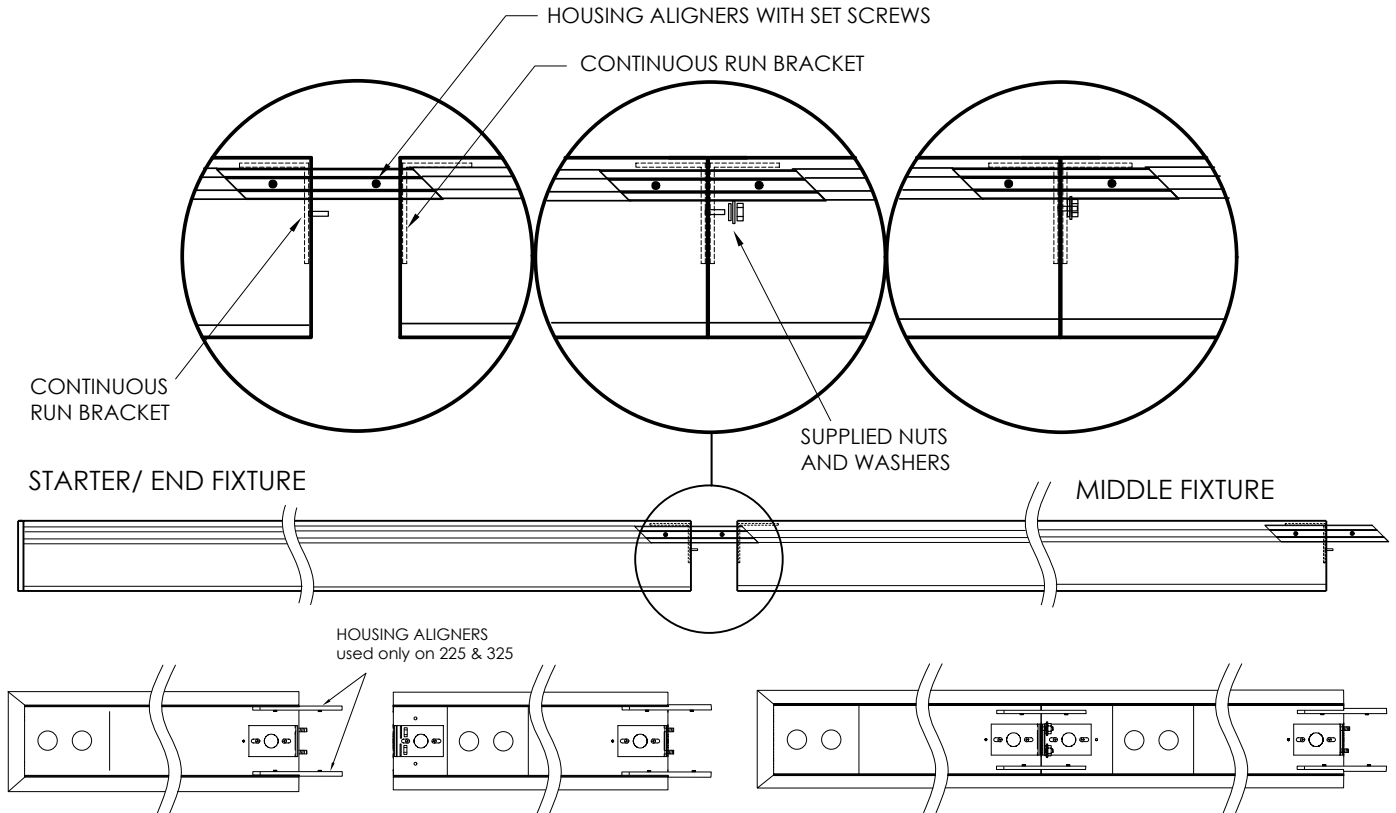
Additional support to structural member may be required. Check with local building codes for requirements

V-0213



INSTRUCTION SHEET

Installation Guide



Instructions

1. Connect power to starter fixture ballast.
2. Thru-wire to second fixture.
3. Slide open the end of the fixture over the starter fixture's continuous run housing aligner.
4. Line up holes on continuous run brackets. Secure with supplied #8 bolts, washers, and nuts. (note: the internal "L" brackets should be set back approximately 1/16" from the edge of the fixture - they can be adjusted if necessary), tighten set screws on aligner.
5. Continue steps 1-4 until run is completed, (same steps apply for end fixtures).
6. Install liner
7. Install lamp(s)
8. Install lens.

Note: To be installed by a qualified electrician per N.E.C. and all local codes.

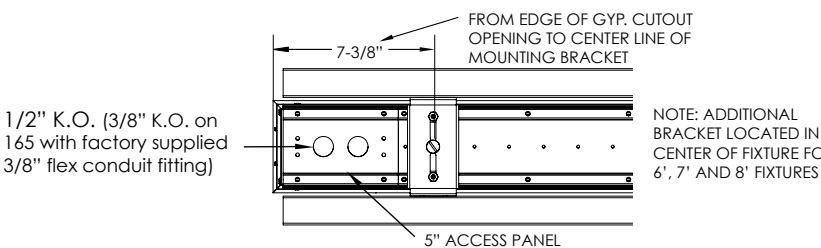
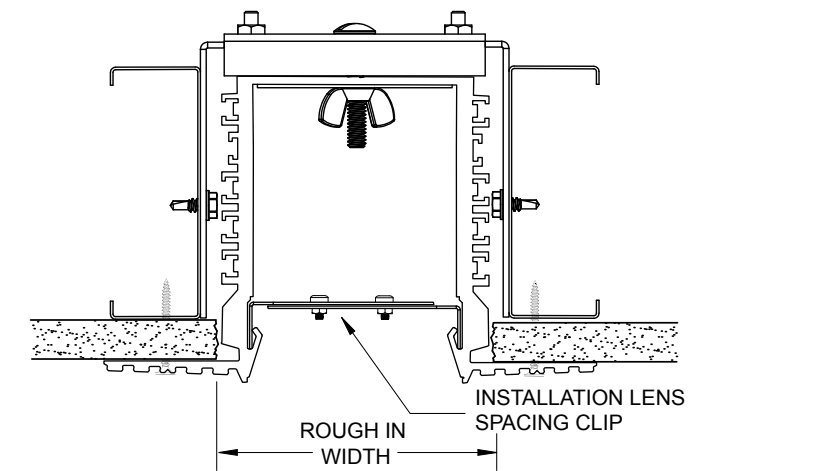
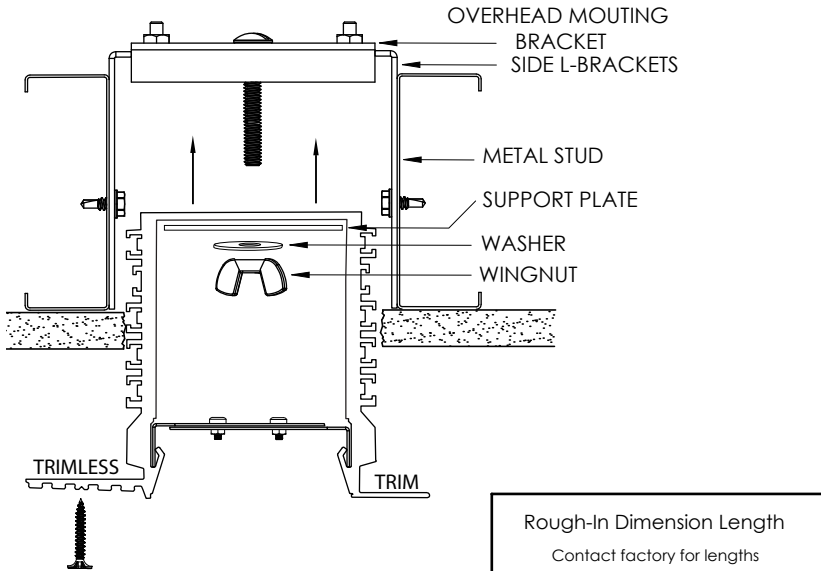
Additional support to structural member may be required. Check with local building codes for requirements

V-0213



INSTRUCTION SHEET

Installation Guide



1. Attach Side L-Brackets to structure as shown. Center of Side L-Bracket should be 7 3/8" from end of rough-in opening. Alternately (not shown) 1/4-20 threaded rod can be run from structure through the top of the Overhead Mounting Bracket (after removing provided 1/4-20 screw)
2. Remove lens and internal reflector and set aside in a safe location. Bring conduit through back of fixture (via access panel) or end-cap of first fixture (if continuous run installation).
3. Slide fixture through roughed-out opening and slip fixture through two threaded 1/4-20 studs (or rods). Slide on support plate and washer over stud and tighten wing nut until fixture flange is flush with mounting surface.
4. When installing Trimless Mud Flange, installer may secure Flange to structure (if desired) by following steps noted on TL Side Blocking installation sheet. Pay special attention to ensure screws are straight when installing fasteners. During installation of fasteners, slide Installation Spacer down the length of fixture between mud-over flange and structure to correctly align the lens opening.
5. When installing continuous runs, thru-wire the fixtures using the appropriate gauge of wire. Use pinch brackets and alignment splines (installed on fixture) to join together when aligning adjacent fixtures.
6. After fixtures are secure to structure, remove Installation Spacer and install the internal reflector and lamps. Reinstall lens to ensure proper fit.
7. On Trimless Mud Flange installations if lens is loose or does not fit, repeat Step 4 and ensure screws are straight and Installation Spacer is installed correctly. Re-test lens engagement. After confirming proper lens engagement, remove lens and set aside. NOTE: Cover inside of fixture to prevent debris from entering the fixture or lens engagement. Complete finish and painting of mud-over surface. Reinstall lens to ensure proper fit.

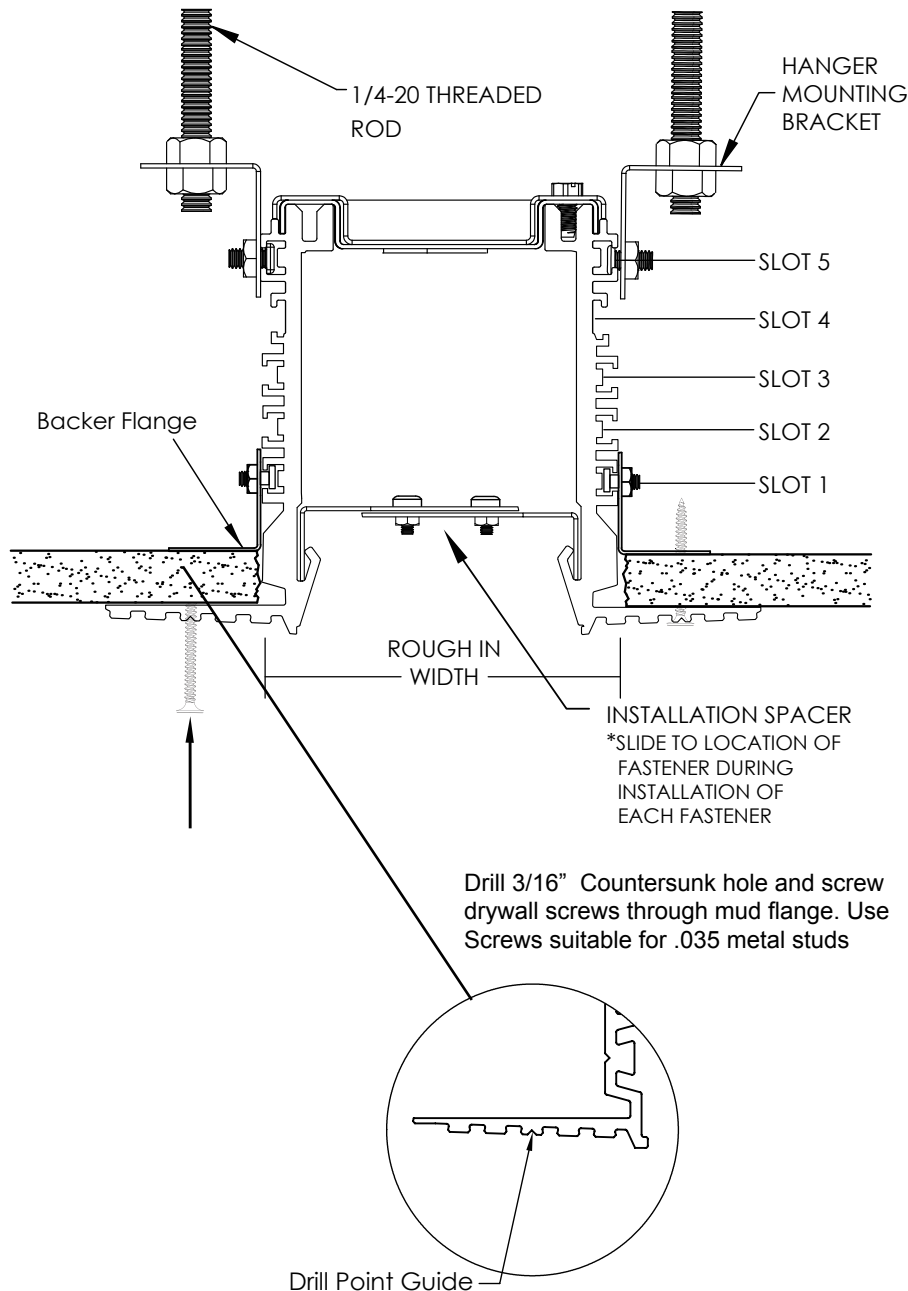
Note: To be installed by a qualified electrician per N.E.C. and all local codes. Additional support to structural member may be required. Check with local building codes for requirements

V-0114



INSTRUCTION SHEET

New Construction Installation Guide



7. During installation of fasteners, slide Installation Spacer down the length of fixture between mud-over flange and Backer Flange to correctly align the lens opening. NOTE: Pay special attention to ensure screws are straight when installing fasteners.

8. After fixtures are secure to structure, remove Installation Spacer and install the internal reflector and lamps. Reinstall lens to ensure proper fit. NOTE: If lens is loose or does not fit, repeat Step 7 and ensure screws are straight and Installation Spacer is installed correctly.

9. Re-test lens engagement. After confirming proper lens engagement, remove lens and set aside while completing the mud-over process. NOTE: Cover inside of fixture to prevent debris from entering the fixture or lens engagement.

10. Complete finish and painting of mud-over surface. Reinstall lens; ensuring proper fit.

Note: To be installed by a qualified electrician per N.E.C. and all local codes.

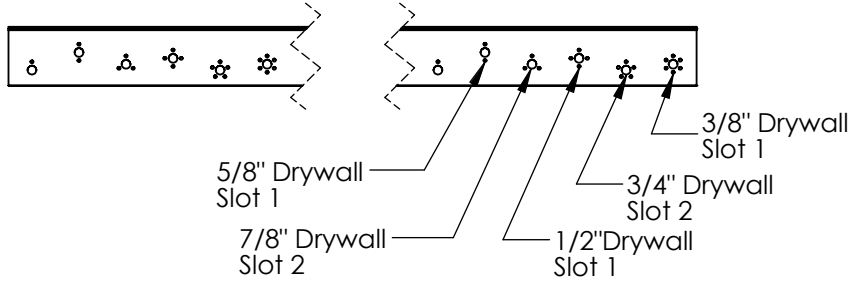
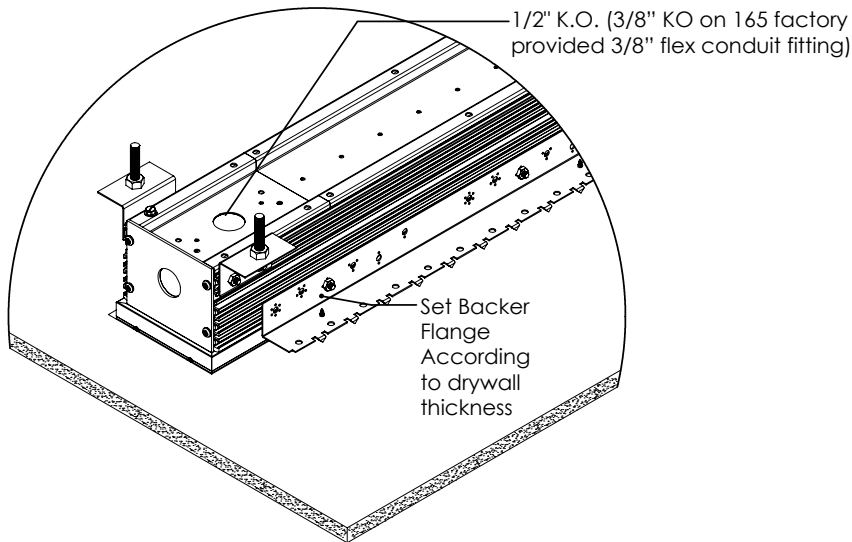
Additional support to structural member may be required. Check with local building codes for requirements

V-0213



INSTRUCTION SHEET

New Construction Installation Guide



Rough-In Dimension Length
Contact factory for lengths

Rough-In Dimension Width
325 - 4.0" | 225 - 3.0" | 165 - 2.5"

1. Slide 2-studs per Backer Flange into appropriate slot. Slip Backer Flange over studs matching to proper holes (according to drywall thickness) and tighten with provided 8-32 hex nuts.

2. Slide 2-studs per Hanger Mounting bracket into Slot 5 (see drawing). Secure Hanger Mounting brackets to fixture housing with provided 8-32 hex nuts.

3. Attach 1/4-20 threaded rod to Hanger Mounting brackets to suspend fixture at desired AFF. If preferred (not shown) fixture can be secured to structure with fasteners (supplied by others) via the Hanger Mounting brackets, or through the back of the fixture body.

NOTE: Leave installation spacer inside fixture to prevent deformation during installation. If installing fixtures directly to structure, be careful not to damage the ballast/driver (which may be moved if necessary via the fixture access panel).

4. Remove lens and internal reflector and set aside in a safe location. Bring conduit through back of fixture (via access panel) or end-cap of first fixture (if continuous run installation).

5. Thru-wire fixtures using the appropriate gauge of wire. When installing continuous runs, and aligning adjacent fixtures, use pinch brackets and alignment splines (installed on fixture) to join together.

6. Slip drywall between mud-over flange and Backer Flange. Secure mud-over flange to Backer Flange following instructions below (Steps 7-10).

Note: To be installed by a qualified electrician per N.E.C. and all local codes.

Additional support to structural member may be required. Check with local building codes for requirements

V-0213