

Vaya Tube, RGB (Ethernet & DMX)

Vaya Tube is a reliable and cost effective direct view linear LED lighting fixture designed for dynamic lighting effects. Vaya Tube is ideal for exterior accent and contour lighting applications, as well as low-resolution graphics with a resolution of up to 150mm (6in) per pixel. Up to 24m (80ft) of fixtures can be connected per Control Module. Ethernet and DMX-512 control options make the product easy to use with Philips Color Kinetics or third-party DMX controllers.



Key Features

- Uniform band of light in 180° viewing angle
- Slim profile & light weight
- 150mm / 6inch pixel resolution: 8pixels/1.2m (4ft)
- Up to 20 fixtures (1.2m/4ft) in two runs
- KiNet & DMX-512 control
- 3-Year Warranty

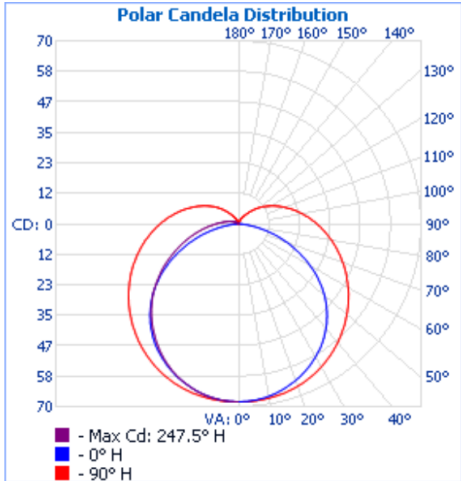
Product Data

Width	47 mm (1.8in), including mounting bracket	
Height	66 mm (2.4in), including mounting bracket	
Length	300 mm (1 ft)	1200 mm (4 ft)
Mounting	Front-serviceable surface mount brackets	
Source	RGB, 3-in-1 SMD	
Viewing Angle	180°	
RGB Flux & Intensity	70 lm / 16cd	300 lm / 68cd
Lumen Maintenance	50,000 hrs L ₅₀ at 25°C	
Lens	Translucent Cover Lens	
Housing	UV-stabilized polycarbonate, dark grey finish (RAL7043)	
Weight	<0.5 kg (1 lbs)	< 1.0kg (2 lbs)
Connection	Combined power & data input and output connectors	
Control	Ethernet & DMX-512 control	
Input Voltage	24V DC	
Power Consumption	3.5 W	14 W
Run-Length per Controller	2x 35 fixtures	2x 10 fixtures
Temperature Range	-20°C to 40°C (-4°F ~104°F) start-up temperature -40°C to 40°C (-40°F ~104°F) operating temperature	
Protection Rating	IP66, Wet location listed, IK10	
Certifications	UL / cUL, FCC Class A, CE, CB, CQC, SAA, C-Tick	
Warranty	3 Years	

Photometrics (Per IESNA LM-79):

Vaya Tube RGB, 1.2m (4ft)

Polar Candela Distribution



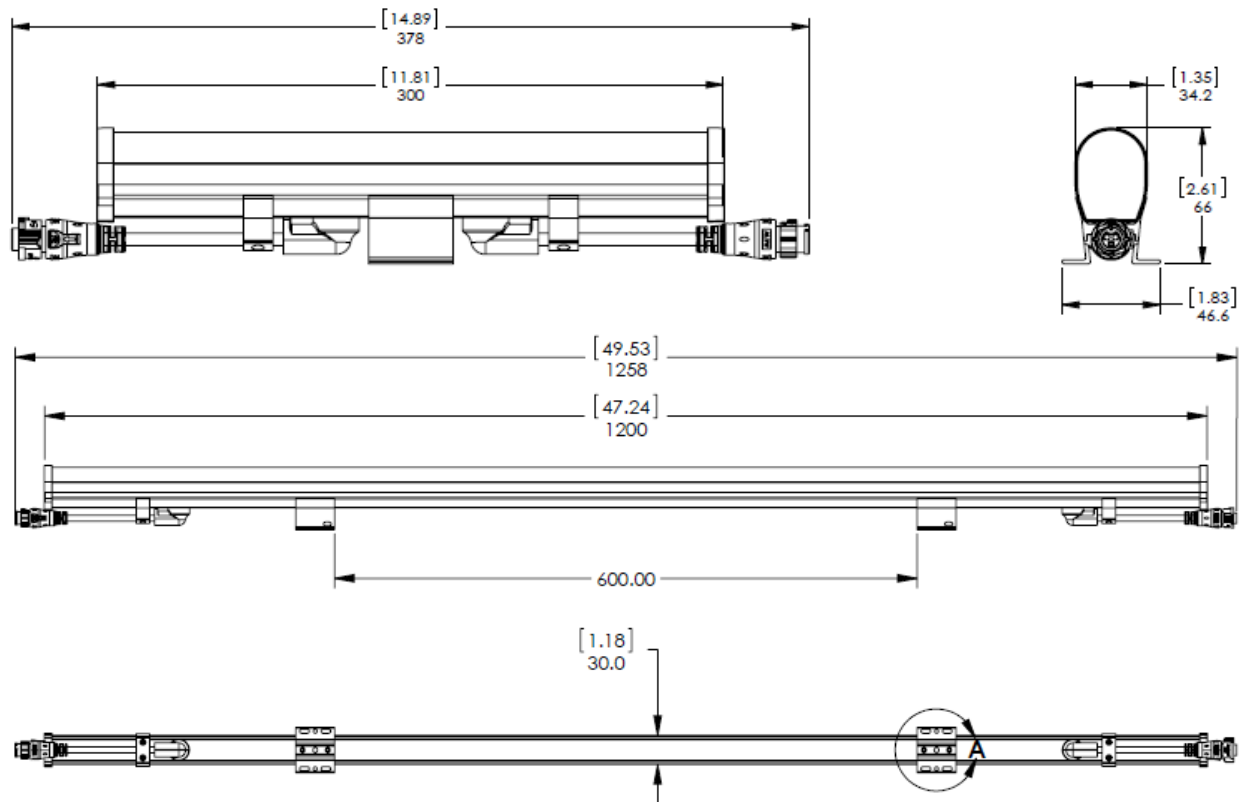
Illuminance at a Distance

	Center Beam LUX	Beam Width	
1.33M	38.4 LUX	4.27 M	23.51 M
2.67M	9.57 LUX	8.56 M	47.07 M
4.00M	4.26 LUX	12.83 M	70.58 M
5.33M	2.39 LUX	17.11 M	94.15 M
6.67M	1.53 LUX	21.39 M	117.66 M
8.00M	1.06 LUX	25.67 M	141.22 M

■ Vert. Spread: 116.1°
■ Horiz. Spread: 167.1°

Im = 3.28ft

Dimensions:



Maximum Run-Lengths per Control Module (2-ports)*

Wattage	Leader Cable Length	0.3m (1ft)	1.2m (4ft)
320W	1.5m (5ft)	2x 35pcs	2x 10pcs
	15m (50ft)	2x 29pcs	2x 10pcs

* Maximum connected lengths assume adjacent placement of fixtures. For other configurations, please download the latest version of the Vaya Configuration Calculator from our website: <http://www.colorkinetics.com/vaya/>

Recommended Power Supplies:

Wattage	Input Voltage	Philips I2 NC	Item Number	Certification
320W	100-277V	912400130539	309-000014-01	UL/cUL, CE, PSE
		912400133656	309-000014-03	CCC
		912400133660	309-000014-07	RCM

Vaya Tube Ordering Codes:

Product	Length	Control	Philips I2NC	Item Number
RGB	0.3m (1ft)	Ethernet & DMX	912400130499	316-000014-02
RGB	1.2m (4ft)	Ethernet & DMX	912400130501	316-000014-03

Vaya Tube (Ethernet & DMX) Cables:

Product	Length	Control	Philips I2NC	Item Number
Leader-Jumper Cable	0.3m (1ft)	Ethernet & DMX	912400134183	308-000014-09
Leader-Jumper Cable	1.5m (5ft)	Ethernet & DMX	912400133651	308-000014-04
Leader-Jumper Cable	15m (50ft)	Ethernet & DMX	912400133652	308-000014-05

Vaya Tube System Accessories:

Product	Input Voltage	Control	Philips I2NC	Item Number
Control Module	24V DC	Ethernet & DMX	912400130537	320-000014-01

