

## DESCRIPTION

A return to simplicity, elegance and minimalism ... Slender LED lines of light set in an architectural environment are the essence of Straight and Narrow. This series accommodates most architectural lighting design applications. Generation II enhancements and new features:

- Extruded housing offers precise in-line appearance and enhanced rigidity
- LED offers a continuous uninterrupted line of light with no shadows
- Flush lay in lens provides clean look and easy maintenance
- Continuous runs are provided to the nearest foot

Catalog #		Type
Project		
Comments		Date
Prepared by		

[GET A QUOTE >](#)

## SPECIFICATION FEATURES

### Construction

Extruded aluminum housing. Nominal 2', 3', 4', 6' or 8' illuminated sections. Used in run configuration and/or individual fixtures

### Shielding

Trimless, lay-in, high transmission diffuser. Optional snap-in lens available.

### Electrical

Fixture equipped with proprietary Cooper LED modules rated at 3500K. Removable module features aluminum extrusion providing exceptional thermal management. Modules are driven using universal voltage switch-mode LED drivers. Fixture and modules certified to UL and CUL standards. A 0 to 10V dimming control is available.

### Finish

Fixture housings are matte white finish using electrostatically applied polyester powder coat paint. Optional custom finish.

### Mounting

Fixture mounts directly to existing structure over a standard electrical box (not supplied by Neo-Ray). Blocking provided by others.

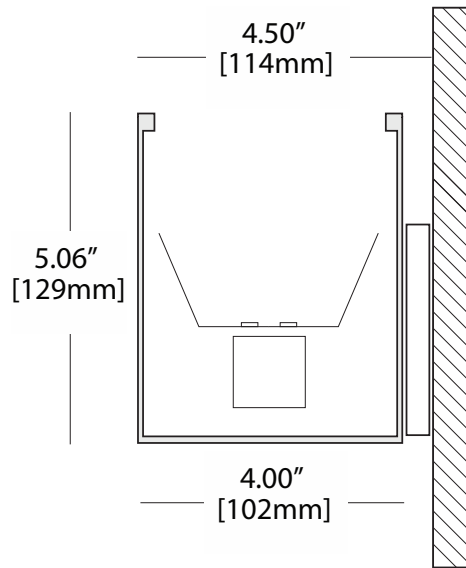


## 23IW Straight & Narrow LED

### Individual

### Wall Mount Indirect

Light Distribution:  
Indirect = 100%  
Direct = 0%



23IW-LED

## ORDERING INFORMATION

[GET A QUOTE >](#)

Sample Number: S23IW-1L35-4-U-DD-S92HT

Series  
S23= Series 23

Light Distribution  
I = Indirect  
Mounting  
W= Wall

Light Level  
LED (3500K) 4ft  
1 = Light Level 1  
2100 Lumens, 33 Watts  
2 = Light Level 2  
2700 Lumens, 44 Watts

Lamp Type  
LED (3500K)  
L30 = LED, 3000K  
(subtract 10% from 3500K light levels)  
L35 = LED, 3500K  
L40 = LED, 4000K  
(add 10% to 3500K light levels)

Length  
2= 2'  
3= 3'  
4= 4'  
6= 6'  
8= 8'

Voltage  
120 = 120V  
277 = 277V  
UNV = Universal  
(120v-277v)

Driver  
ED= Electronic Driver  
DD= Dimming Driver

Shielding Options  
S92HT = Lay-in High Transmission Lens  
S92HTS = Snap in High Transmission Lens

Notes:

1. Not all options available. Please consult your local Cooper Lighting Representative for availability.
2. Specification and Dimensions subject to change without notice.