

## DESCRIPTION

The Corelite Z3 LED combines the internally developed Linear LED platform from Cooper Lighting with the high sense of style and superior brightness management that characterizes the CoreLite Class RZ family. The proprietary LED platform delivers a soft, diffuse volume of pure white light that carries the general character of a fluorescent source while simultaneously eliminating unsightly socket shadows and the hassle of luminaire maintenance. A guaranteed system life of 50,000 hrs combined with exceptional efficacy make the Z3 LED the ultimate solution to satisfy the most stringent energy requirements with an ultra-light carbon footprint.

Catalog #		Type
Project		
Comments		Date
Prepared by		

## SPECIFICATION FEATURES

### A ... Construction

Low profile housing constructed of die formed 20 gauge cold rolled steel with integral 20 gauge gear tray.

### B ... Reflector

Precision tooled, high reflectance sheet metal which allows for easy access to ballast compartment from below ceiling plenum.

### C ... Shielding

High light transmission frosted prismatic acrylic lens with UV inhibitors minimizes lamp image and ensures efficient light distribution. Lenses secured to housing via injection molded inserts for easy lamp access.

### D ... Electrical

Fixture equipped with proprietary Cooper LED modules available in 3000, 3500 or 4000k with a CRI plus or minus 85. Removable module features aluminum extrusion providing exceptional thermal management. Modules are driven using universal voltage switch-mode LED drivers. Fixture and modules certified to UL and CUL standards. A 0-10V dimming control is available (standard).

### E ... Finish

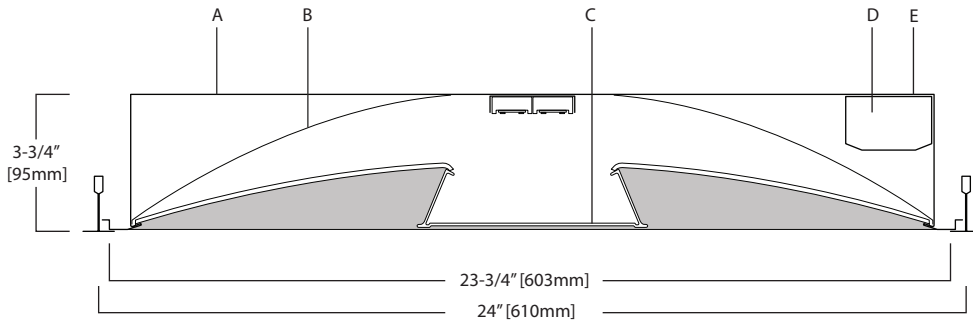
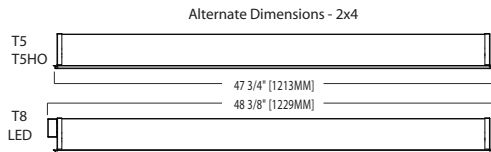
Fixture housings are high reflectance white using electrostatically applied polyester powder coat paint.

### Mounting

Standard flange design works with most lay-in ceiling types. Integral pryout tabs secure luminaire to ceiling grid from above. Fixture offers tie-in locations for tie-wire on all corners, consult local code for appropriate tie-wire recommendations.

### Note: Concealed Ceiling

Class R may be installed into inaccessible ceilings (sheet rock, wood panel, etc.). This is achieved with the Metalux DFW series drywall frame-in kit, ordered separately from Metalux. Specify CC for the Corelite Ceiling Type. Specify the following part numbers separately, from Metalux: For 2x4, order Metalux part DF-24W-U



## CLASS Z3 Nano Prism Lens

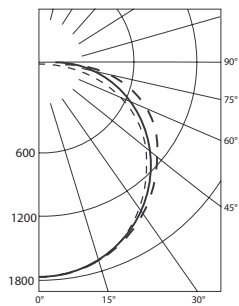
LED  
**2'x4' Recessed**  
3-3/4" Depth

## ORDERING INFORMATION

Sample Number: Z3-WN-1L30-1C-UNV-24-T1

<b>Series</b> Z3: Class Z3	<b>Shielding</b> N: Nano Prism Lens	<b>Color Temperature</b> L30: LED 3000K L35: LED 3500K L40: LED 4000K	<b>Wiring</b> <sup>1</sup> B: Battery Pack C: Standard Circuit D: Dimming E: Emergency T: Nightlight Y: Daylight	<b>Voltage</b> <sup>1</sup> 120: 120V 277: 277V 347: 347V UNV: Universal (120V-277V)	<b>Ceiling Type</b> T1: 1" Grid, Slot-Grid, 9/16" Tegular T9: 9/16" Grid CC: Concealed Ceiling	<b>Options</b> <sup>1</sup> AR: Air Return CP: Chicago Plenum NY: New York City Construction W6: 6' Whip Flex W12: 12' Whip Flex
<b>Reflector</b> W: White	<b>Light Level</b> 1: Light Level 1 2: Light Level 2	<b>Number of Circuits</b> 1: 1 Circuit		<b>Size</b> 24: 2' x 4'		

Notes: 1 Not all options available. Please consult your Cooper Lighting Representative for availability. Specifications and dimensions subject to change without notice.



Z3-WN-2L35-2x4  
4954 Lumens  
56.2 Watts  
88.1 LPW  
LED ALM 2.0

Test Report: #P22376

Coefficients of Utilization

rc	Effective floor cavity reflectance																		
	80%				70%				20%										
rw	70	50	30	10	70	50	30	10	50	30	10	50	30	10	50	30	10	0%	
RCR	0	119	119	119	119	116	116	116	116	111	111	111	106	106	106	102	102	102	100
	1	108	103	99	95	106	101	97	93	97	94	91	93	90	88	89	87	85	83
	2	98	90	83	77	96	88	82	76	84	79	74	81	77	73	78	74	71	69
	3	90	79	70	64	87	77	69	63	74	67	62	71	66	61	69	64	60	58
	4	82	70	61	54	80	68	60	53	66	58	53	63	57	52	61	56	51	49
	5	75	62	53	46	73	61	52	46	59	51	46	57	50	45	55	49	44	42
	6	69	56	47	40	68	55	46	40	53	46	40	51	45	39	50	44	39	37
	7	64	51	42	36	63	50	41	36	48	41	35	47	40	35	46	39	35	33
	8	60	46	38	32	58	46	37	32	44	37	31	43	36	31	42	36	31	29
	9	56	43	34	29	55	42	34	29	41	33	28	40	33	28	39	33	28	26
	10	53	39	31	26	51	39	31	26	38	31	26	37	30	26	36	30	26	24

Candela

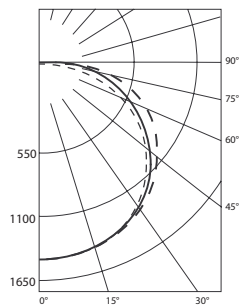
Angle	0-Deg	23-Deg	45-Deg	68-Deg	90-Deg
0	1757	1757	1757	1757	1757
5	1759	1744	1750	1746	1745
10	1731	1716	1721	1715	1714
15	1683	1668	1671	1663	1660
20	1618	1604	1602	1587	1584
25	1538	1522	1517	1498	1494
30	1440	1426	1420	1407	1406
35	1327	1316	1318	1313	1316
40	1205	1199	1215	1223	1231
45	1074	1076	1109	1137	1153
50	938	949	1001	1054	1080
55	797	821	890	967	999
60	655	689	776	865	900
65	510	553	651	744	775
70	367	417	516	603	636
75	231	286	377	454	480
80	121	174	249	291	286
85	45	83	107	113	110
90	0	0	0	0	0

Zonal Lumen Summary

Zone	Lumens	% Lamp	% Fixture
0-30	1333	N.A.	26.9
0-40	2158	N.A.	43.6
0-60	3814	N.A.	77
0-90	4954	N.A.	100
40-90	2796	N.A.	56.4
60-90	1141	N.A.	23
90-180	0	N.A.	0
0-180	4954	N.A.	100

Luminance Data

Angle in Deg	0-Deg cd/sm	45-Deg cd/sm	90-Deg cd/sm
45	2187	2259	2348
55	2001	2235	2508
65	1738	2218	2641
75	1285	2098	2671
85	744	1768	1818



Z3-WN-1L35-2x4  
4272 Lumens  
46.1 Watts  
92.7 LPW  
LED ALM 2.0

Test Report: #P22382

Coefficients of Utilization

rc	Effective floor cavity reflectance																		
	80%				70%				20%										
rw	70	50	30	10	70	50	30	10	50	30	10	50	30	10	50	30	10	0%	
RCR	0	119	119	119	116	116	116	116	111	111	111	106	106	106	102	102	102	100	
	1	108	103	99	95	106	101	97	93	97	94	91	93	90	88	89	87	85	83
	2	98	90	83	77	96	88	82	76	84	79	74	81	77	73	78	74	71	69
	3	90	79	70	64	87	77	69	63	74	67	62	71	66	61	69	64	60	58
	4	82	70	61	54	80	68	60	53	66	58	53	63	57	52	61	56	51	49
	5	75	62	53	46	73	61	52	46	59	51	46	57	50	45	55	49	44	42
	6	69	56	47	40	68	55	46	40	53	46	40	51	45	39	50	44	39	37
	7	64	51	42	36	63	50	41	36	48	41	35	47	40	35	46	39	35	33
	8	60	46	38	32	58	46	37	32	44	37	31	43	36	31	42	36	31	29
	9	56	43	34	29	55	42	34	29	41	33	28	40	33	28	39	33	28	26
	10	53	39	31	26	51	39	31	26	38	31	26	37	30	26	36	30	26	24

Candela

Angle	0-Deg	23-Deg	45-Deg	68-Deg	90-Deg
0	1526	1526	1526	1526	1526
5	1527	1513	1520	1516	1515
10	1504	1489	1493	1488	1486
15	1461	1448	1450	1441	1438
20	1406	1391	1389	1375	1371
25	1334	1320	1313	1298	1293
30	1248	1235	1229	1217	1216
35	1150	1139	1140	1135	1137
40	1044	1037	1048	1056	1063
45	931	930	957	980	994
50	811	820	863	907	929
55	693	708	766	830	857
60	569	596	666	740	770
65	443	478	558	633	662
70	319	360	441	511	538
75	202	248	321	384	406
80	104	150	210	246	239
85	39	71	90	97	93
90	0	0	0	0	0

Zonal Lumen Summary

Zone	Lumens	% Lamp	% Fixture
0-30	1156	N.A.	27.1
0-40	1869	N.A.	43.8
0-60	3297	N.A.	77.2
0-90	4272	N.A.	100
40-90	2403	N.A.	56.2
60-90	975	N.A.	22.8
90-180	0	N.A.	0
0-180	4272	N.A.	100

Luminance Data

Angle in Deg	0-Deg cd/sm	45-Deg cd/sm	90-Deg cd/sm
45	1896	1949	2024
55	1740	1923	2152
65	1510	1902	2256
75	1124	1786	2259
85	644	1487	1537