

COOPER LIGHTING - METALUX®

DESCRIPTION

The Vaportight LED Series is an energy efficient industrial Vaportite fixture that features rugged and durable construction. The Vaportight LED incorporates a full metal fixture liner inside a reinforced fiberglass housing with a high impact diffuser. This Vaportite series is suitable for interior and exterior applications and can be surface or chain mounted.

The Vaportight LED Series has been designed for maximum operation in commercial institutional and industrial environments and can operate in a wide range of temperatures (-20°C to 25°C) and is ideal for cold storage environments.

Catalog #		Type
Project		
Comments		Date
Prepared by		

SPECIFICATION FEATURES

Construction

Fiberglass housing is reinforced polyester and self-extinguishing (ASTM-D635-74) plastic of a permanent pearl gray color. A watertite hub for 1/2" conduit entry is provided at each end of housing (standard) for continuous feed. Polyurethane gasketing is formed in the housing providing a continuous seamless seal for the diffuser. Four sturdy cam latches clamp diffuser tightly for a positive seal between housing, gasketing and diffuser.

Electrical*

Long-Life LED system coupled with electrical driver to deliver optimal performance. LED's available in 3500 or 4000k with a CRI ≥ 85. Projected life is 50,000 hours at 70% lumen output. cULus listed. Electronic drivers are available for 120-277V applications. A 0-10V dimming control is available (standard).

Lens

'DR' - Clear low brightness pattern acrylic with 50% high impact additive.
 "DR-100" - Clear low brightness pattern acrylic with 100% high impact additive.

Warranty

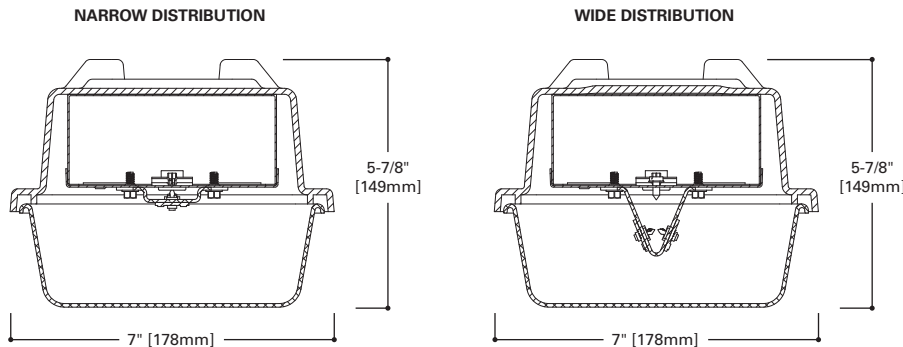
Vaportight LED features a five-year limited warranty.



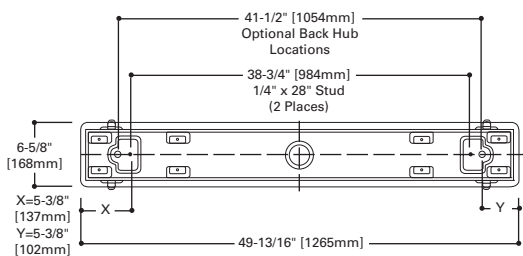
Vaportight LED

4' INDUSTRIAL LED LAMP

Vaportight Industrial Refrigerated Case



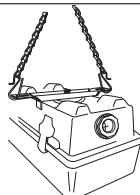
MOUNTING DATA



INSTALLATION DATA



MOUNTING BRACKETS
 Furnished
 Two per 2' and 4' Unit
 Four per 8' Unit



OPTIONAL CHAN HANGING SET
 (VT2-CHAIN/SET-U)
 Includes 6 ft. of chain, 4 large S-Hooks and 4 small S-Hooks
 Order One (1) Kit for each 2' or 4' Fixture
 Two (2) Kits Recommended For 8' Fixture

ENERGY DATA

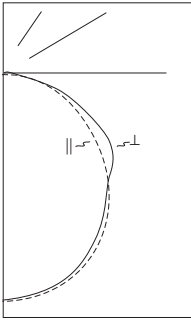
Input Watts:
 VT-58DR=71 Watts
 VT-55DR-W=80 Watts

*Reference the lamp/ballast data in the Technical Section for specific lamp/ballast requirements.

**Not Suitable for Wet Locations if EL4 Option is added. Consult Pre Sales Technical Support.



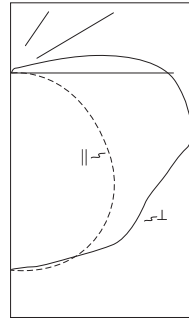
PHOTOMETRICS



VT-LD2-58DR-UNV-L840
 Dimming Driver
 Linear LED 4000K
 Spacing criterion:
 (H) 1.2 x mounting
 height, (L) 1.3 x
 mounting height
 Lumens: 5814
 Input Watts: 71W
 Efficacy: 82 LPW
 Test Report: P22202

Candlepower

Angle	Along H	45°	Across L
0	1787	1787	1787
5	1802	1782	1779
10	1783	1764	1764
15	1749	1738	1726
20	1702	1690	1667
25	1632	1619	1595
30	1542	1532	1502
35	1431	1425	1388
40	1307	1301	1270
45	1175	1166	1180
50	1037	1040	1138
55	897	966	1077
60	760	947	945
65	626	883	774
70	497	721	615
75	378	542	459
80	272	384	308
85	170	255	187
90	75	150	100



VT-LD2-55DR-W-UNV-L835
 Dimming Driver
 Linear LED 3500K
 Spacing criterion:
 (H) 1.3 x mounting
 height, (L) 1.5 x
 mounting height
 Lumens: 5680
 Input Watts: 79.8W
 Efficacy: 71 LPW
 Test Report: P22511

Candlepower

Angle	Along H	45°	Across L
0	1054	1054	1054
5	1066	1058	1052
10	1067	1057	1049
15	1062	1053	1050
20	1038	1045	1049
25	1008	1033	1062
30	968	1018	1070
35	914	997	1071
40	845	959	1045
45	772	909	1011
50	693	846	987
55	611	786	993
60	525	761	993
65	437	764	1010
70	348	761	1032
75	262	760	990
80	187	710	948
85	128	626	895
90	83	539	838

Coefficients of Utilization

rc	Effective floor cavity reflectance																			
	80%			70%			50%			30%			10%			0%				
rw	70	50	30	70	50	30	70	50	30	70	50	30	70	50	30	70	50	30		
RCR	0	118	118	118	115	115	115	109	109	109	104	104	104	99	99	99	96			
	1	106	101	96	92	103	98	94	90	93	90	86	89	86	83	85	82	80	77	
	2	96	87	80	73	93	85	78	72	81	75	70	77	72	68	73	69	66	63	
	3	87	76	67	60	84	74	66	60	70	64	58	67	61	56	64	59	55	53	
	4	80	67	58	51	77	65	57	50	62	55	49	60	53	48	57	51	47	44	
	5	73	60	50	43	71	58	50	43	56	48	42	53	47	41	51	45	41	38	
	6	67	54	44	38	65	52	44	37	50	43	37	48	41	36	46	40	36	33	
	7	62	49	40	33	60	48	39	33	46	38	32	44	37	32	42	36	31	29	
	8	58	44	36	30	56	43	35	29	42	34	29	40	33	29	39	33	28	26	
	9	54	41	32	27	53	40	32	26	38	31	26	37	30	26	36	30	25	23	
	10	51	37	29	24	49	37	29	24	36	28	24	34	28	23	33	27	23	21	

Coefficients of Utilization

rc	Effective floor cavity reflectance																			
	80%			70%			50%			30%			10%			0%				
rw	70	50	30	70	50	30	70	50	30	70	50	30	70	50	30	70	50	30		
RCR	0	116	116	116	116	112	112	112	112	104	104	104	97	97	97	91	91	91	87	
	1	101	94	88	82	97	90	85	80	84	79	75	77	74	70	72	69	66	63	
	2	90	79	71	63	86	76	68	62	70	64	58	65	60	55	60	56	52	49	
	3	81	68	58	51	77	66	57	49	61	53	47	56	50	44	52	47	42	39	
	4	73	60	49	42	70	57	48	41	53	45	39	49	42	37	45	40	35	32	
	5	67	53	43	35	64	51	41	34	47	39	33	44	37	31	41	35	30	27	
	6	62	47	37	30	59	45	36	29	42	34	28	39	32	27	37	30	26	23	
	7	57	42	33	26	54	41	32	26	38	30	25	36	29	24	33	27	23	20	
	8	53	38	29	23	51	37	29	23	35	27	22	33	26	21	30	24	20	18	
	9	49	35	26	21	47	34	26	20	32	25	19	30	23	19	28	22	18	16	
	10	46	32	24	18	44	31	23	18	29	22	17	28	21	17	26	20	16	14	

Zonal Lumen Summary

Zone	Lumens	%Fixture
0-30	1400	24.1
0-40	2282	39.3
0-60	4064	69.9
0-90	5601	96.3
0-180	5814	100.0

Luminaire Data

Angle in Deg	Average 0-Deg cd/sm	Average 90-Deg cd/sm	Average 180-Deg cd/sm
45	7159	5958	5192
55	6554	5569	5128
65	5936	6051	4152
75	5335	4755	2921
85	4987	3245	1520

Zonal Lumen Summary

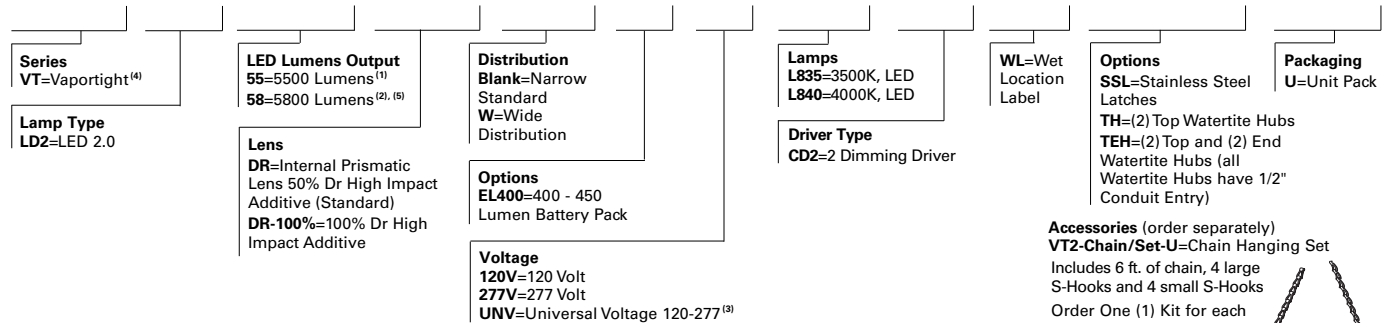
Zone	Lumens	%Fixture
0-30	871	15.3
0-40	1486	26.2
0-60	2885	50.8
0-90	4968	87.5
0-180	5680	100.0

Luminaire Data

Angle in Deg	Average 0-Deg cd/sm	Average 90-Deg cd/sm	Average 180-Deg cd/sm
45	5103	5319	4958
55	4897	5851	4785
65	4625	7004	4583
75	4274	8662	4241
85	4872	11060	4567

ORDERING INFORMATION

SAMPLE NUMBER: VT-LD2-58DR-UNV-L840-CD2-WL-U



NOTES: ⁽¹⁾ Only available in wide distribution. ⁽²⁾ Only available in narrow distribution. ⁽³⁾ Not available when specifying emergencies, voltage must be specific. ⁽⁴⁾ DesignLights™ Consortium Qualified in select models. Consult www.designlights.org for the latest qualified products. ⁽⁵⁾ DLC Qualified up to 15°C.

Specifications & dimensions subject to change without notice. Consult your Cooper Lighting Representative for availability and ordering information.

SHIPPING INFORMATION

Catalog No.	Wt.
VT-58DRR	20 lbs.

Visit our web site at www.cooperlighting.com

Customer First Center 1121 Highway 74 South Peachtree City, GA 30269 770.486.4800 FAX 770.486.4801 1/13 ADF120161

