

## DESCRIPTION

The Corelite Z3 LED combines the internally developed Linear LED platform from Cooper Lighting with the high sense of style and superior brightness management that characterizes the CoreLite Class RZ family. The proprietary LED platform delivers a soft, diffuse volume of pure white light that carries the general character of a fluorescent source while simultaneously eliminating unsightly socket shadows and the hassle of luminaire maintenance. A guaranteed system life of 50,000 hrs combined with exceptional efficacy make the Z3 LED the ultimate solution to satisfy the most stringent energy requirements with an ultra-light carbon footprint.

Catalog #		Type
Project		
Comments		Date
Prepared by		

## SPECIFICATION FEATURES

### A ... Construction

Low profile housing constructed of die formed 20 gauge cold rolled steel with integral 20 gauge gear tray.

### B ... Reflectors

Precision tooled, high reflectance sheet metal which allows for easy access to driver compartment from below ceiling plenum.

### C ... Shielding

High light transmission clear acrylic outer lens contains acrylic frosted sheet inlay with perf pattern. Each component contains UV inhibitors. The lens assembly minimizes lamp image and ensures efficient light distribution. Lenses secured to housing via injection molded inserts for easy lamp access.

### D ... Electrical

Fixture equipped with proprietary Cooper LED modules available in 3000, 3500 or 4000k with a CRI plus or minus 85. Removable module features aluminum extrusion providing exceptional thermal management. Modules are driven using universal voltage switch mode LED drivers. Fixture and modules certified to UL and CUL standards. A 0 to 10V dimming control is available (standard).

### E ... Finish

Fixture housings are high reflectance white using electrostatically applied polyester powder coat paint.

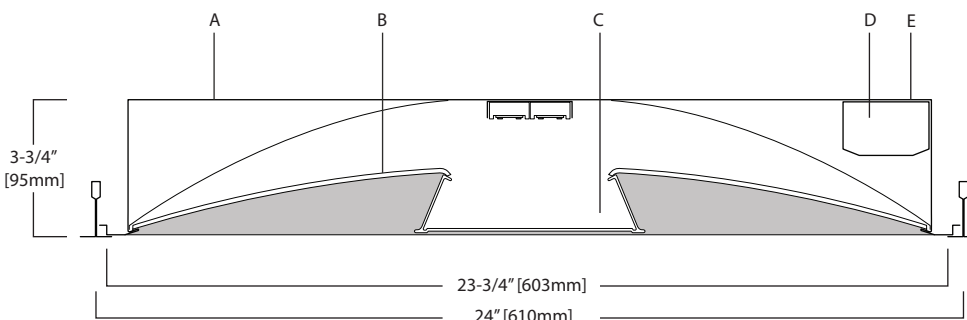
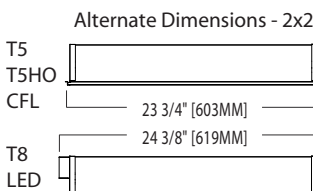
### Mounting

Standard flange design works with most lay in ceiling types. Integral pryout tabs secure luminaire to ceiling grid from above. Fixture offers tie in locations for tie wire on all corners, consult local code for appropriate tie wire recommendations.

### Note: Concealed Ceiling

Class R may be installed into inaccessible ceilings (sheet rock, wood panel, etc.). This is achieved with the Metalux DFW series drywall frame-in kit, ordered separately from Metalux. Specify CC for the Corelite Ceiling Type. Specify the following part numbers separately, from Metalux: For 2x2, order Metalux part DF-22W-U.

Light Level	Wattage	Lumens (delivered)	Efficacy (LPW)
1	28W	2268	80.7
2	37W	2881	77.9



## CLASS Z3 Rectangular Perf Inlay Round Perf Inlay

LED  
2'x2' Recessed  
3-3/4" Depth

## ORDERING INFORMATION

Sample Number: Z3-WG-1L30-1C-UNV-22-T1

<b>Series</b> Z3: Class Z3	<b>Shielding</b> D: Round Perf Inlay G: Rectangular Perf Inlay	<b>Color Temperature</b> L30: LED 3000K L35: LED 3500K L40: LED 4000K	<b>Wiring</b> <sup>1</sup> C: Standard Circuit D: Dimming E: Emergency T: Nightlight Y: Daylight	<b>Voltage</b> <sup>1</sup> 120: 120V 277: 277V 347: 347V UNV: Universal (120V-277V)	<b>Ceiling Type</b> T1: 1" Grid, Slot-Grid, 9/16" Tegular T9: 9/16" Grid CC: Concealed Ceiling	<b>Options</b> <sup>1</sup> AR: Air Return CP: Chicago Plenum NY: New York City Construction W6: 6' Whip Flex W12: 12' Whip Flex
<b>Reflector</b> W: White	<b>Light Level</b> 1: Light Level 1 2: Light Level 2	<b>Number of Circuits</b> 1: 1 Circuit		<b>Size</b> 22: 2' x 2'		

Notes: 1 Not all options available. Please consult your Cooper Lighting Representative for availability. Specifications and dimensions subject to change without notice.