

DESCRIPTION

- LED asymmetric distribution
- Extruded aluminum housing
- Die-cast aluminum end-caps
- Die-cast adjustable mounting arms
- Alanod® MIRO® 4 aluminum reflector
- Extruded, lightly diffused acrylic lens standard
- Electrostatically applied polyester powder coat paint finish

Catalog #		Type
Project		
Comments		Date
Prepared by		

SPECIFICATION FEATURES

[GET A QUOTE >](#)

Construction

Housing is corrosion-resistant Type 6063-T6 aluminum extrusion with die-cast aluminum end caps. End caps are secured by concealed stainless steel fasteners. Housing, end caps and lens are sealed with single, closed cell silicone gaskets. Stainless steel hardware is standard.

Reflector

Reflector is constructed from highly specular Alanod® MIRO® 4 aluminum with minimum 95% reflectance.

Aiming

Fixture includes the PointGrab2™ lockable aiming system, providing minimum 180 degree vertical adjustment of the fixture housing in 5 degree increments. The aiming feature locks securely in place by means of a stainless steel locking mechanism.

Lens

A lightly diffused acrylic lens is standard, constructed of impact-resistant, U.V. stabilized virgin acrylic to prevent discoloration.

Electrical

LED fixtures use .92 power factor UL 1310 Class 2 AC to DC driver with built-in dimming. Fixture equipped with proprietary Cooper Lighting LED. LEDs comply with LM-80 lifetime testing standards and offer a life rating of 50,000 hours and 70% lumen maintenance.

Mounting

Fixture includes Slide-N-Mount™ adjustable, lockable mounting arms (patent pending), constructed from Type 383 die-cast aluminum. Support structure by others.

Finish

Fixture housing is finished using electrostatically applied polyester powdercoat paint. Consult factory for custom colors.

Labels

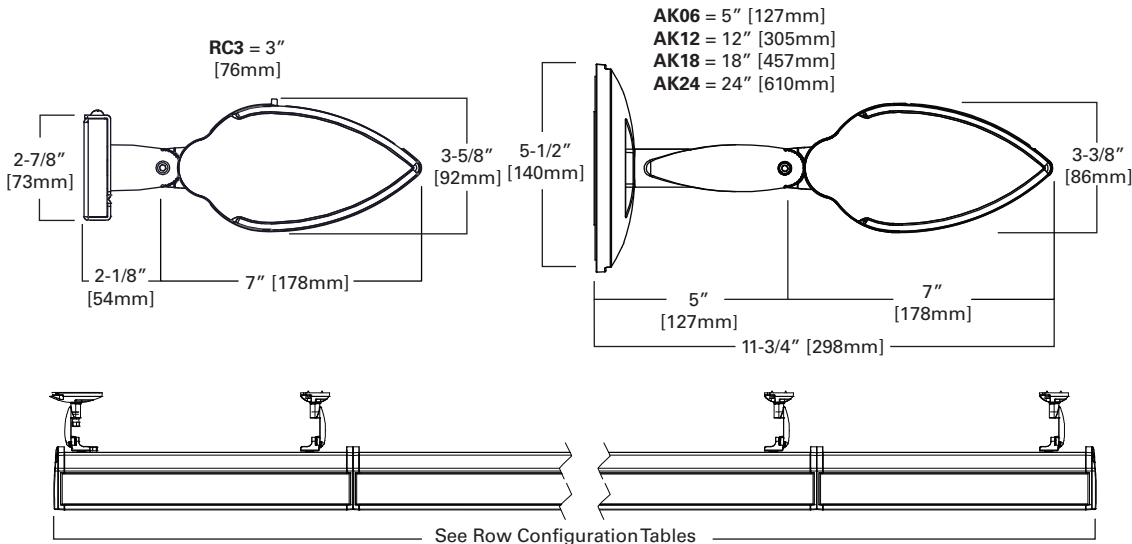
UL / cUL listed for use in damp locations.



ARROWLINEAR LED

**Extra Small Integral
Continuous Row**

Wall



Lamp Chart

Lamp Source	* Light Level 2: Absolute Lumens	Nominal Fixture Length	** Actual Fixture Length
LED	2000	2'	See Row Configuration tables
LED	3000	3'	See Row Configuration tables
LED	4000	4'	See Row Configuration tables
LED	6000	6'	See Row Configuration tables
LED	8000	8'	See Row Configuration tables
LED	12,000	12'	See Row Configuration tables

* Based on 3500K CCT. See photometric files at www.ametrixlighting.com for delivered lumen levels.

** See Row Configuration tables for nominal and actual row lengths.

ORDERING INFORMATION

Sample Number: AC-SI-A-2-LED-30K-1C-120-W-AK6-44

Product AC =Arrowlinear ^{1, 2} Continuous Row	Lens A =Acrylic	Lamp Type LED =LED	Number of Circuits 1 =1 Circuit	Finish B =Bronze C =Custom (specify) K =Black S =Silver W =White	Mounting RC3 =Rectangular ^{1, 4} Canopy, 3" Arm / Integral AK6 =6" Adjustable Knuckle / Integral AK12 =12" Adjustable Knuckle / Integral AK18 =18" Adjustable Knuckle / Integral AK24 =24" Adjustable Knuckle / Integral	Options ³ LMC =Large AK Mounting Canopies (in lieu of standard)	Light Level 2 =See Lamp Chart above	Color Temperature 30K =3000K 35K =3500K 40K =4000K	Wiring ³ C =Standard Circuit B =Battery Pack D =Dimming E =Emergency	Voltage 120 =120V 277 =277V 347 =347V UNV =Universal	Run Length ² Specify in feet (Ex: 44)	Size - In/Outdoor SI =Extra Small - Indoor	

- Notes: 1 See Row Configuration tables for details.
 2 Separate power feed required at maximum 80' intervals (120V) or 200' intervals (277V).
 3 All options may not be available with all models.
 4 2" x 4" horizontal J-box (by others) required for mounting.

INDOOR - LED

Nominal Length (feet)	12'	8'	6'	4'	3'	2'	Actual Length
2						1	2.28
3					1		3.26
4				1			4.25
5				1			4.25
6			1				6.45
7			1				6.45
8		1					8.42
9		1					8.42
10			1	1			9.64
11				2	1		11.61
12	1						12.60
13	1						12.60
14		1		2			14.80
15		1		2			14.80
16		2					16.77
17		2					16.77
18	1			2			18.98
19	1			2			18.98
20		2		1			19.96
21	1		2				20.94
22		1	2				21.18
23		2	1				23.15
24		2	1				23.15
25	2						25.12
26	2						25.12
27	2					1	27.32
28	2				1		28.31
29	2			1			29.29
30	2			1			29.29
31	2		1				31.50
32	2		1				31.50
33	2	1					33.47
34	2	1					33.47

Nominal Length (feet)	12'	8'	6'	4'	3'	2'	Actual Length
35	2			2		1	35.67
36	2			2		1	35.67
37	3						37.64
38	3						37.64
39	2		1	2			39.85
40	2		1	2			39.85
41	2	2					41.82
42	2	2					41.82
43	2	2					41.82
44	2	2		1			45.99
45	2	2		1			45.99
46	2	2		1			45.99
47	3		1		1		47.21
48	2	2	1				48.20
49	2	2	1				48.20
50	4						50.16
51	4						50.16
52	3	1	1				52.37
53	4				1		53.35
54	3	2					54.34
55	3	2					54.34
56	4		1				56.54
57	4		1				56.54
58	4	1					58.51
59	4	1					58.51
60	4		1	1			60.72
61	4		1	1			60.72
62	5						62.69
63	5						62.69
64	4	1	1				64.89
65	4	1	1				64.89
66	4	2					66.86
67	4	2	1				67.10

Nominal Length (feet)	12'	8'	6'	4'	3'	2'	Actual Length
68	4	2	1				67.10
69	5		1				69.07
70	4	2			1		70.05
71	4	2		1			71.03
72	4	2		1			71.03
73	4	2	1				73.24
74	5	1			1		74.22
75	6						75.21
76	6						75.21
77	5	1	1				77.41
78	5	1	1				77.41
79	5	2					79.38
80	5	2					79.38
81	6		1				81.59
82	6		1				81.59
83	6	1					83.56
84	6	1					83.56
85	6		1		1		84.78
86	5	2	1				85.76
87	7						87.73
88	7						87.73
89	6	1	1				89.94
90	6	1	1				89.94
91	7					1	90.92
92	6	2					91.90
93	6	2					91.90
94	7		1				94.11
95	7		1				94.11
96	6	2		1			96.08
97	6	2		1			96.08
98	7		1	1			98.28
99	7	1			1		99.27
100	8						100.25

Note: Consult factory for alternate row configurations.