

DESCRIPTION

- LED asymmetric distribution
- Extruded aluminum housing
- Die-cast aluminum end-caps
- Die-cast adjustable mounting arms
- Alanod® MIRO® 4 aluminum reflector
- Extruded, lightly diffused acrylic lens standard
- Electrostatically applied polyester powder coat paint finish

Catalog #		Type
Project		
Comments		Date
Prepared by		

SPECIFICATION FEATURES

Construction

Housing is corrosion-resistant Type 6063-T6 aluminum extrusion with die-cast aluminum end caps. End caps are secured by concealed stainless steel fasteners. Housing, end caps and lens are sealed with single, closed cell silicone gaskets. Stainless steel hardware is standard.

Reflector

Reflector is constructed from highly specular Alanod® MIRO® 4 aluminum with minimum 95% reflectance.

Aiming

Fixture includes the PointGrab2™ lockable aiming system, providing minimum 180 degree vertical adjustment of the fixture housing in 5 degree increments. The aiming feature locks securely in place by means of a stainless steel locking mechanism.

Lens

A lightly diffused acrylic lens is standard, constructed of impact-resistant, U.V. stabilized virgin acrylic to prevent discoloration.

Electrical

LED fixtures use .92 power factor UL 1310 Class 2 AC to DC driver with built-in dimming. Integral LED lamp modules are easily replaceable in the field.

Mounting

Fixture includes Slide-N-Mount™ adjustable, lockable mounting arms (patent pending), constructed from Type 383 die-cast aluminum. Support structure by others.

Finish

Fixture housing is finished using electrostatically applied polyester powdercoat paint. Consult factory for custom colors.

Labels

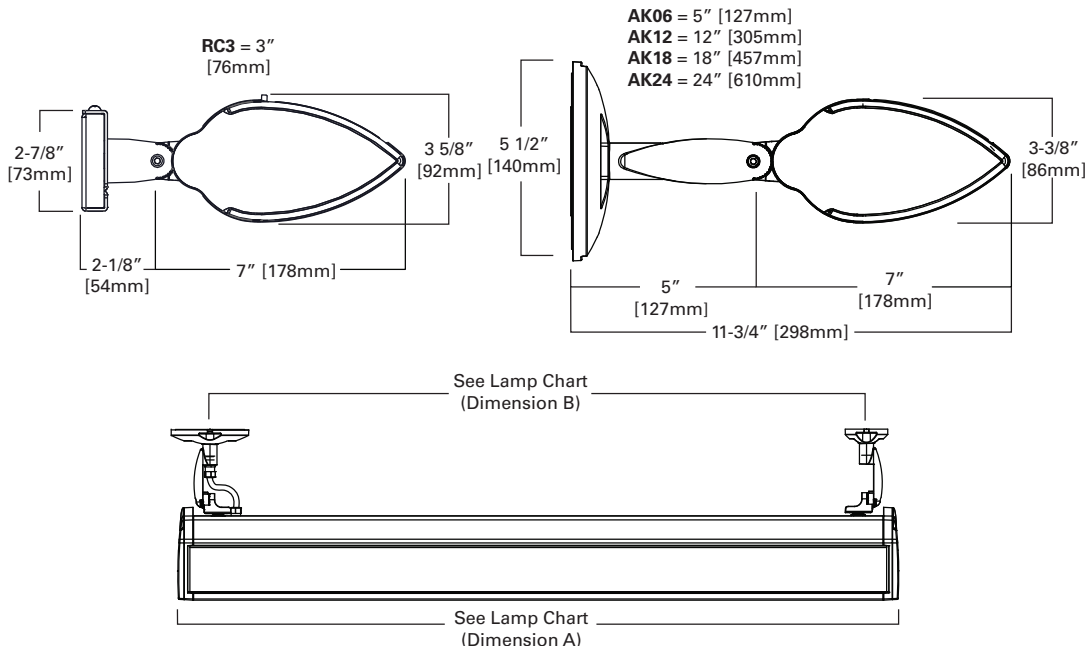
UL / cUL listed for use in damp locations.



ARROWLINEAR LED

Extra Small Integral
Individual Linear

WALL



Lamp Chart

Lamp Source	* Light Level 2: Absolute Lumens	Nominal Fixture Length	Actual Fixture Length	**** Recommended Mounting Centers
LED	1000	1'	13-1/2" (343mm)	** See note below
LED	2000	2'	27-3/8" (695mm)	22-13/16" (580mm)
LED	3000	3'	39-3/16" (995mm)	34-5/8" (880mm)
LED	4000	4'	51" (1295mm)	46-7/16" (1180mm)
LED	6000	6'	77-7/16" (1967mm)	72-29/32" (1852mm)
LED	8000	8'	101-1/16" (2567mm)	96-17/32" (2452mm)
LED	12,000	12'	151-3/16" (3839mm)	*** 146-7/16 (3719mm)

* Based on 3500K CCT. See photometric files at www.ametrixlighting.com for delivered lumen levels.

** 1' fixtures utilize a single, centered RC3 mounting arm.

*** 12' fixtures require three mounting points.

**** Slide-N-Mount™ adjustable, lockable mounting arms are standard.

ORDERING INFORMATION

Sample Number: A04-SI-A-2-LED-30K-120-W-AK6-LMC

--	--	--	--	--	--	--	--	--	--

Product

A01=Arrowline 1' Unit^{1, 2}
A02=Arrowline 2' Unit
A03=Arrowline 3' Unit
A04=Arrowline 4' Unit
A06=Arrowline 6' Unit
A08=Arrowline 8' Unit
A12=Arrowline 12' Unit

Size - In/Outdoor

SI=Extra Small - Indoor

Lens

A=Acrylic

Light Level

2=See Lamp Chart above

Lamp Type

LED=LED

Color Temperature

30K=3000K
35K=3500K
40K=4000K

Voltage

120=120V
277=277V
347=347V
UNV=Universal

Finish

B=Bronze
C=Custom (specify)
K=Black
S=Silver
W=White

Mounting

RC3=Rectangular Canopy, 3" Arm / Integral^{1, 2}
AK6=6" Adjustable Knuckle / Integral
AK12=12" Adjustable Knuckle / Integral
AK18=18" Adjustable Knuckle / Integral
AK24=24" Adjustable Knuckle / Integral

Options³

LMC=Large AK Mounting Canopies (in lieu of standard)

- Notes:** ¹ A single RC3 mounting arm is standard for model A01.
² 2" x 4" horizontal J-box (by others) required for mounting.
³ All options may not be available with all models.