

IMPORTANT SAFEGUARDS

When using electrical equipment, basic safety precautions should always be followed including the following:

READ AND FOLLOW ALL SAFETY INSTRUCTIONS

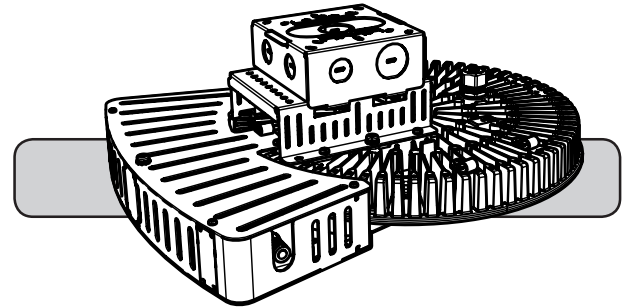
1. To reduce the risk of electrical shock, turn off power supply before installation or servicing.
2. This luminaire must be installed in accordance with the NEC or your local electrical code. If you are not familiar with these codes and requirements, consult a qualified electrician.
3. Check to make sure that all input power connections have been properly made and the module is grounded to avoid potential electrical shock.
4. DO NOT lift luminaire by the power leads or cord.
5. Suitable for dry and damp location
6. Suitable for locations with maximum ambient of 50°C
7. MIN 90°C SUPPLY CONDUCTORS

SAVE THESE INSTRUCTIONS FOR FUTURE REFERENCE

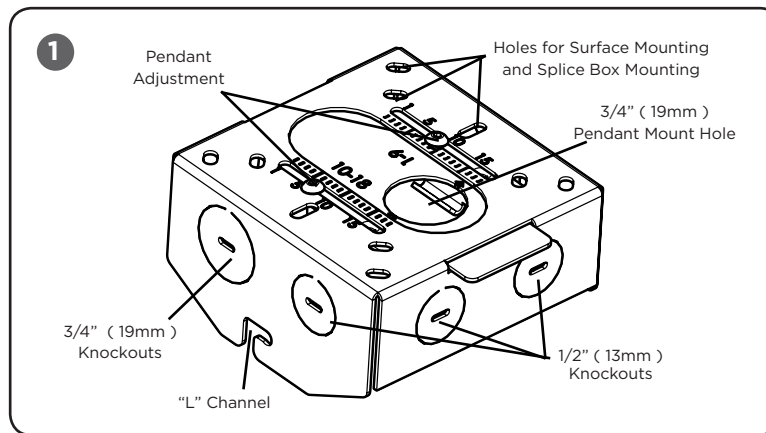
NOTE:

- For each mounting application below, when mounting to surface ensure that the mounting surface and customer supplied hardware is capable of supporting the weight of the luminaire.
- Luminaires with a single driver box, the center of mounting is NOT the same as the center of luminaire.

INSTALLATION INSTRUCTIONS



TO INSTALL:



JUNCTION BOX MOUNT / PENDANT MOUNT

STEP 1:

Remove hinged splice box cover from top of housing by loosening set screw and sliding box to the right and up from "L" channel. Unhook from hinge holes. See **Figure 1**.

STEP 2:

Attach hinged splice box cover to customer supplied pendant or mounting surface.

For pendant entering the hinge box:

Use 3/4" threaded pendant, along with two locknuts (one for inside the splice box and one for outside the splice box). Pull supply leads into position from customer supplied conduit.

Note: The luminaire should already be factory set for correct balance.

However, should you need to, the luminaire may be balanced by loosening (2) set screws for pendant adjustment on the top of the hinged splice box and sliding the adjustment plate as necessary for correct balance. Tighten (2) set screws when finished. See **Figure 1**.

For junction box mounting the hinge box:

Use designated mounting holes on top of hinge splice box. See **Figure 1**. For conduit entering the hinge splice box from the side, use appropriately-sized threaded conduit (1/2" or 3/4"), and conduit fitting.

STEP 3:

Attach one end of the hinged splice

box to luminaire by aligning hinge slots on Mounting Bracket with hinges (on splice box), and then inserting the hinges into the slots.

STEP 4:

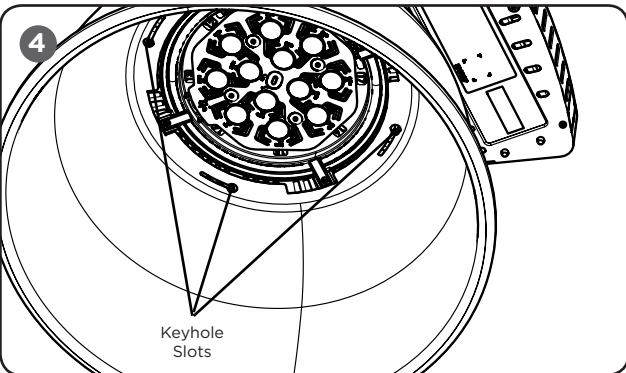
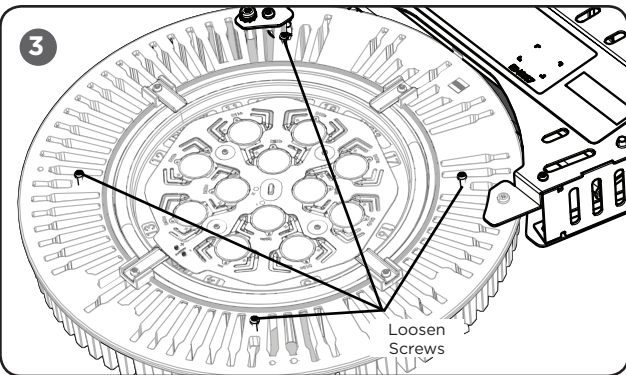
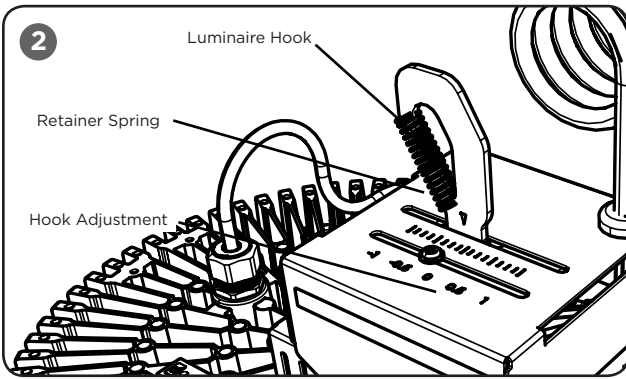
Make wire connections per **Electrical Connection** section and then push the leads into hinged splice box.

STEP 5:

Secure other end of the hinged splice box to luminaire by sliding screw on Mounting Bracket up and over in "L" channel on the hinged splice box. See **Figure 1**.

STEP 6:

Secure luminaire to hinged splice box by tightening screw.



HOOK AND CORD MOUNT

STEP 1:

Push down on retainer spring until top of spring is free of luminaire hook. See **Figure 2**.

STEP 2:

Slide hook into securely mounted customer supplied eye hanger and return retainer spring to original position.

Note: The luminaire should already be factory set for correct balance. However, should you need to, the fixture may be balanced by loosening the hook adjustment set screw on the top of the housing and sliding the hook as necessary for correct balance. Tighten hook set screw when finished. See **Figure 2**.

REFLECTOR INSTALLATION

STEP 1:

Loosen the (4) screws, shown in **Figure 3**, at least 0.1 inch from the heatsink.

NOTE: The view in Figure 7 is off the underside of the luminaire.

STEP 2:

Bring trim into housing and line up the (4) screws from Step 1, with the keyhole slots on the reflector. See **Figure 4**.

STEP 3:

Rotate trim, turn clockwise and tighten the (4) screws from Step 1. See **Figure 4**.

ELECTRICAL CONNECTIONS

STEP 1:

Make the following Electrical Connections :

- Connect the black fixture lead to the voltage supply position of the terminal block.
- Connect the white fixture lead to the neutral supply position of the terminal block.
- Connect the green or green/yellow ground lead to the green wire position of the terminal block.

