

Solid Brass Accent Lighting Fixture Suitable for Interior and Exterior Lamping: 1 x 10W LED Lumens: 700

GET A QUOTE >

PROJECT	TYPE	CATALOG NUMBER
---------	------	----------------

Fixture Description:

A cast brass wall sconce suitable for interior or exterior applications, utilizing a 10 watt, Xicato 95CRI LED lamp for uplighting, downlighting, wall washing or grazing illumination techniques.

Construction:

A solid brass sand casting with a glass sealed louvered aperture.

Electrical:

120V feed wire to LV. Integral electronic solid state power supply requiring a 120V-AC feed and supplying 12 Volt AC power to the led module. Power supply is dimmable using reverse phase technology with a neutral present.

Dimming:

Dimmable down to 20%.

Mounting:

Solid brass 8/32" phillips screws mount faceplate to custom housing.

Finishes:

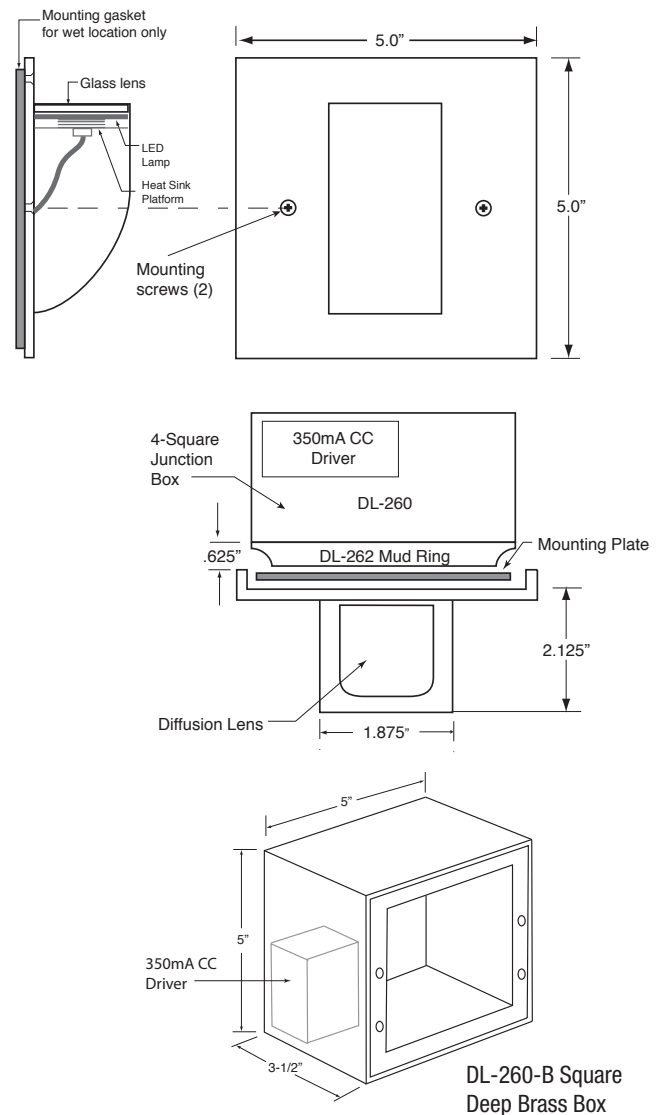
1. Verde, 2. Satin Nickel, 4. White*, 5. Ancient Bronze, 6. Brass Bronze, 7. Custom, 9. Ancient Verde, 10. Grey Bronze, 11. Rust Brown*, 12. Black*, 13. Pewter, 14. Oil-Rubbed Bronze, 15. Copper Edged Bronze, 16. Black Iron Textured Matte*
- *Powder coat

Optional Housings

Cat. Number	Description
DL-260	4" square deep steel box
DL-260-B	Square deep brass box
DL-262	2 gang 1/2" raised mounting ring for use with DL-260 housing (included with face plate)

Lamping

Cat. Number	Description
307	LED - 3000K, 90+CRI



DL-260-B Square Deep Brass Box

To Form a Catalog Number:	Part No.	Voltage	Wattage	Location	Lens	Lamp	Finish
	DLED-126-SSD	120	10	DRY	B	307	4
Which Specifies:	DLED-126-SSD Includes SSD driver	120V 277V	10W	DRY DAMP WET	A - Linear B - Diffusion	307- 10W 3000K LED 90+ CRI	4 - White See all finishes above

GET A QUOTE >

Ordering Examples: **DLED-126-SSD-120-10-DRY-B-307-FL-4-DL-260** (includes solid state driver)