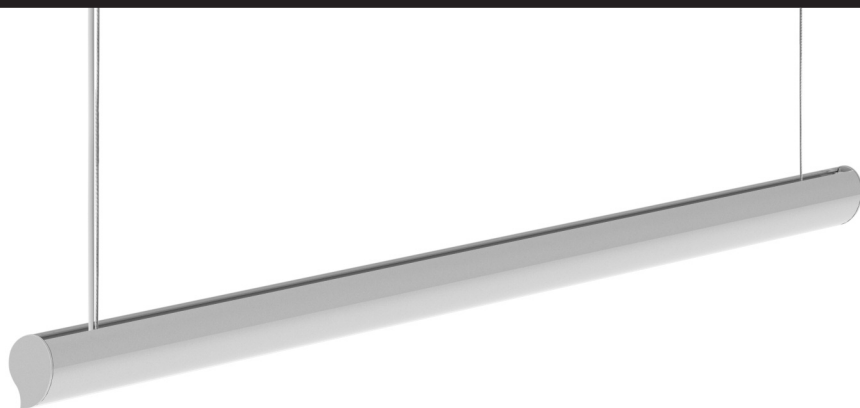


FINELITE

LED T8 Muro-Oval Technical Sheet



Date

Project

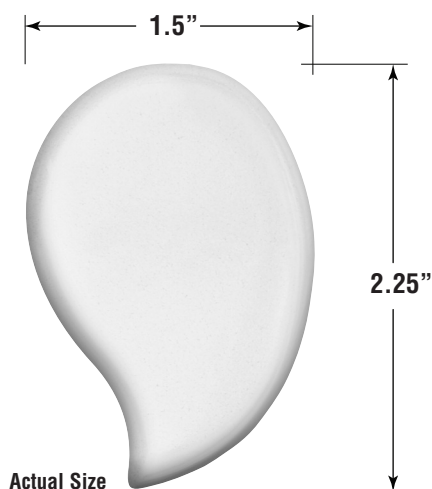
Type

Comments

DESCRIPTION

Muro-Oval is a slim LED wall wash luminaire delivering excellent illumination of vertical surfaces and outstanding performance for interior applications. Advanced LED T8 module design makes Muro a powerful solution for highlighting your best vertical features efficiently.

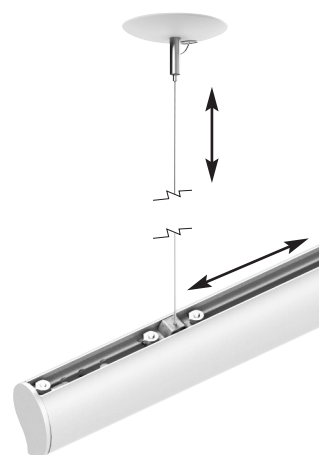
DIMENSIONS



LED MODULE

Muro utilizes an optimized LED T8 module with internal driver that is powered directly by standard 120-277V. LED and driver module can be replaced as easily as a standard fluorescent lamp at end of useful life.

FULLY ADJUSTABLE TOP MOUNT CABLE GRIPPER

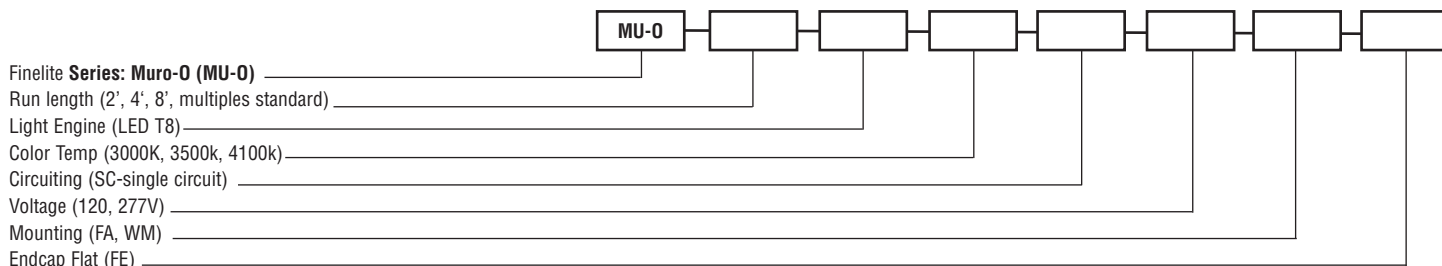


ADJUSTABLE MOUNTING:

Mounting points adjust along the entire length of the luminaire for added installation flexibility. Standard with fully adjustable cables.

ORDERING GUIDE

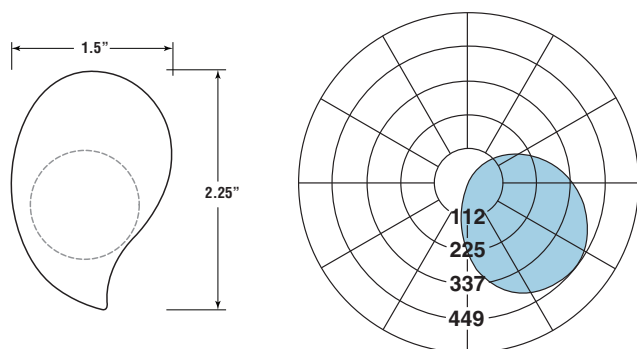
Sample Number: MU-0 - 16' - LED T8 - 3500k - SC - 277 - FA - FE



FINELITE

LED T8 Muro-Oval Technical Sheet

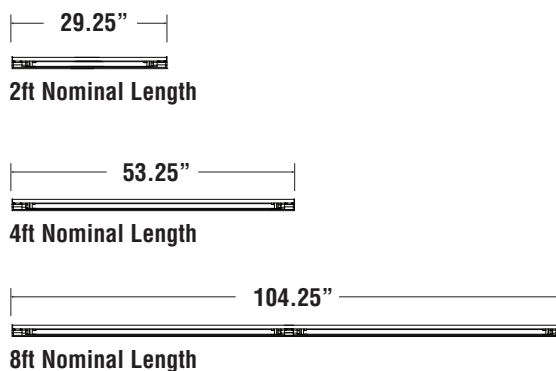
PHOTOMETRY



Muro-Oval
57.3 Lumens Per Watt
1296 Lumens/22.6 Watts
CRI: 87
CCT: 4100K
ITL Report: 69522

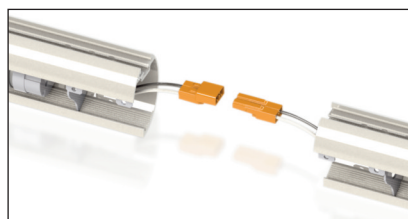
CANDLEPOWER SUMMARY						
	0	45.0	90.0	135.0	180.0	Flux
0	235	235	235	235	235	
5	282	271	235	194	174	22
15	346	314	226	122	81	62
25	396	343	208	52	5	93
35	429	356	183	2	0	119
45	446	356	153	0	0	140
55	449	344	117	0	0	151
65	435	320	76	0	0	152
75	403	285	36	0	0	141
85	364	243	5	0	0	122
90	344	224	0	0	0	
95	323	205	0	0	0	101
105	270	163	0	0	0	78
115	216	124	0	0	0	56
125	161	83	0	0	0	35
135	104	45	0	0	0	18
145	52	15	0	0	0	7
155	9	0	0	0	0	1
165	0	0	0	0	0	0
175	0	0	0	0	0	0
180	0	0	0	0	0	0

RUN LENGTH



Note: Overall lengths include 0.125" thick at endcaps on each

PLUG TOGETHER WIRING



— Refer to www.finelite.com for additional photometry and product information.

SPECIFICATIONS

CONSTRUCTION: 6063-T6 extruded aluminum body with plug-together wiring standard. Wire enclosure brackets constructed of 16 gauge steel.

ENDCAPS: (FE) Flat endcap, aluminum die-cast endcap 0.125" at each end.

REFLECTORS: Gloss white 96% reflective.

ELECTRICAL: 120 or 277V prewired. Fixture and electrical components are ETL listed and ETL labeled.

FEED: 18 gauge straight cord standard.

LIGHT ENGINE: Muro-Oval (4100K) delivers 1296 lumens at 22.6W. LED T8 module with integrated internal driver. Osram/Sylvania modules are standard. Optional Philips EnduraLED available upon request.

MOUNTING: (FA) 50" fully adjustable aircraft cable standard with safety stop. Contact factory for additional lengths up to 150". Flexible mounting bracket adjusts along the length of the luminaire to accommodate existing mounting points. Optional: (WM) Wall Mounted Stem bracket mounts directly to wall j-box, extends fixture 18" from wall. Other lengths available. Consult factory.

SUPPORT CABLES: Plated steel cable and hardware.

FINISHES: Finelite Signal White powder coat finish standard. Optional adders: Custom color available for housing and endcaps. Contact factory.

LENGTHS: 2', 4', and 8' section lengths can be combined to make longer runs. Contact factory for additional lengths.

WEIGHT: Fixture weight = 0.6 lb./ft.