

# FINELITE

## Series X2-0 Technical Sheet



**Series X2-0 is standard with a 25-cell cross blade baffle painted with 96% reflective white paint.**

Date

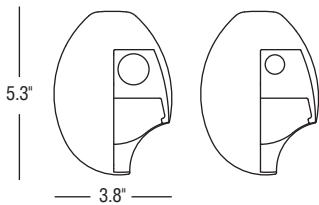
Project

Type

Comments

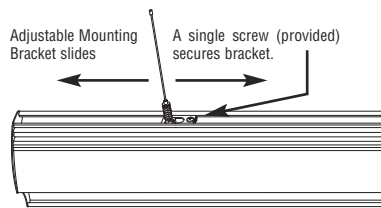
### DESCRIPTION

Series X2-0 is an asymmetric wall wash luminaire that provides very even illumination on vertical surfaces. The oval-shaped luminaire is available in 4', 8', and 12' lengths and comes standard in 1 T8, T5 or T5HO lamp cross-sections. Series X2-0 is ideal for use in schools, offices, and retail where increased footcandle levels on whiteboards, artwork, or displays is required.



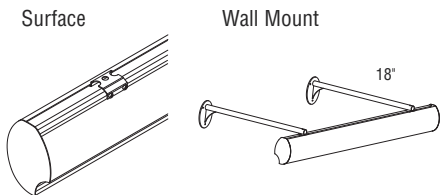
### DIMENSIONS / LAMPING:

Available in 1 T8, T5 or T5HO lamps.



### ADJUSTABLE MOUNTING:

Mounting points adjust along the entire length of the luminaire for added installation flexibility. Standard with fully adjustable cables.

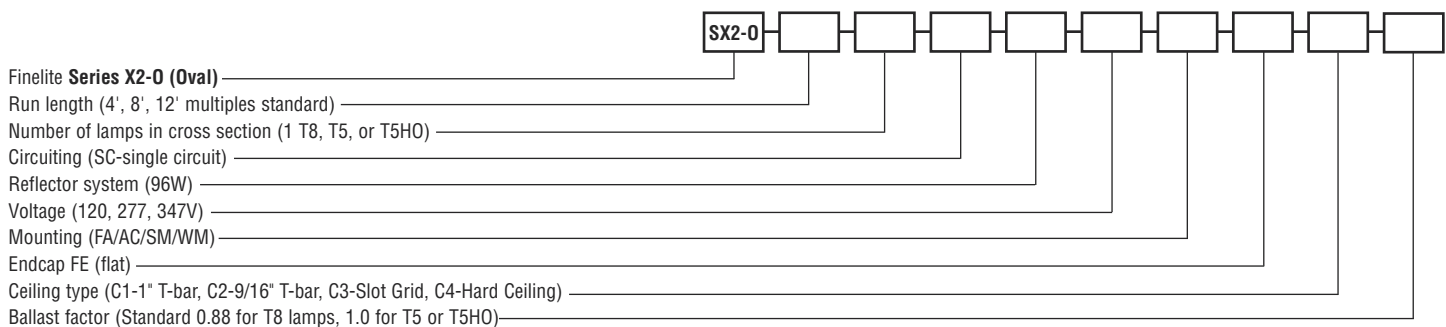


### OPTIONAL SURFACE OR WALL MOUNT:

Surface Mount Brackets allow Series X2 to be mounted directly to the ceiling. In addition, optional wall mount brackets are available and extend 18" from the wall. Contact factory for additional lengths.

### ORDERING GUIDE

Sample Number: SX2-0 - 32' - 1T8 - SC - 96W - 277 - FA - FE - C1 - 0.88



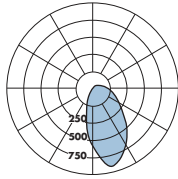
# FINELITE

## Series X2-O Technical Sheet

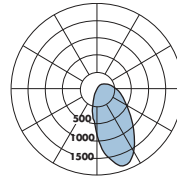
### PHOTOMETRY



**SX2-O: WCB-1T8-96W**  
 Efficiency: 50.9%  
 Peak Candela Value: 939@ 15°  
 LSI Report: 19694



**SX2-O: WCB-1T5HO-96W**  
 Efficiency: 66%  
 Peak Candela Value: 1870@ 15°  
 LSI Report: 19693



CANDLEPOWER SUMMARY						
	0.0	22.5	45.0	67.5	90.0	Flux
0	670	670	670	670	670	
5	779	770	740	698	664	37
15	939	925	863	725	608	115
25	832	822	799	711	526	173
35	682	672	656	624	426	195
45	528	522	511	479	316	186
55	399	388	377	335	202	157
65	318	306	274	221	113	126
75	252	241	206	146	55	99
85	195	185	151	89	11	72
90	169	161	127	66	0	
95	148	139	106	47	0	50
105	110	100	68	23	0	33
115	77	68	44	0	0	19
125	54	46	6	0	0	9
135	1	0	0	0	0	1
145	0	0	0	0	0	0
155	0	0	0	0	0	0
165	0	0	0	0	0	0
175	0	0	0	0	0	0
180	0	0	0	0	0	0

CANDLEPOWER SUMMARY						
	0.0	22.5	45.0	67.5	90.0	Flux
0	1227	1227	1227	1227	1227	
5	1526	1507	1446	1335	1222	70
15	1870	1811	1614	1415	1120	223
25	1794	1764	1653	1350	966	352
35	1426	1416	1410	1248	786	403
45	1063	1056	1058	1012	586	380
55	801	778	755	706	380	318
65	631	606	543	443	227	251
75	496	472	401	285	112	193
85	378	357	289	171	22	139
90	324	306	241	126	0	
95	279	262	198	87	0	94
105	201	183	122	37	0	59
115	137	120	73	0	0	33
125	89	74	8	0	0	14
135	0	0	0	0	0	1
145	0	0	0	0	0	0
155	0	0	0	0	0	0
165	0	0	0	0	0	0
175	0	0	0	0	0	0
180	0	0	0	0	0	0

— Refer to [www.finelite.com](http://www.finelite.com) for additional photometry and product information.

### SPECIFICATIONS

**CONSTRUCTION:** Body is 6063-T6 extruded aluminum with plug-together wiring standard. End brackets are constructed of 18-gauge steel. All components are hard-tooled to tolerances of 0.010".

**ENDCAPS:** (FE) Flat endcap standard, 18 gauge die-formed steel, adds 0.1" at each end. No exposed fasteners, holes, or knockouts.

**REFLECTORS:** (96W) Optical chamber is finished with 96% reflective white paint standard. Standard with white cross-blade baffles.

**ELECTRICAL:** 120 or 277V prewired. Fixture and electrical components UL/C-UL listed and fixture will bear UL/C-UL labels. Optional Adders: 347V ballast, emergency circuits, emergency battery packs. Contact factory.

**LAMPING:** Available in 1 T8, T5 or T5HO lamp cross sections.

**BALLAST:** Electronic instant-start ballast <10% THD, 0.88 BF standard for T8 lamps. Electronic rapid-start ballasts <10% THD, 1.0 BF standard for T5/T5HO lamps. Optional adders: rapid-start ballasts (standard for T5/T5HO), 347V, emergency battery packs, dimming ballasts (controls by others).

**MOUNTING OPTIONS:** (FA) 50" fully Adjustable aircraft cable standard with safety stop. Contact factory for additional lengths up to 150". Optional (AC) semi-adjustable aircraft cable (± 0.5") in lengths of 12", 15", 18", 21", 24", 27", 30", and 36".

Optional: (SM) Surface Mount mounts directly to the ceiling and requires optional mounting brackets.

Optional: (WM) Wall Mount bracket mounts directly to wall, extends fixture 18" from wall.

**SUPPORT CABLES:** Plated steel cable and hardware.

**FEED:** 18 gauge straight cord. 14 gauge feed cord used when fixture current exceeds 5 amps. Optional Adders: Coil Cord Feed.

**FINISHES:** Finelite Signal White powder coat finish standard with 96W finish on lamp compartment door. Optional Adders: 185 colors available from Tiger Drylac's RAL color chart.

**LENGTHS:** 4', 8', and 12' section lengths can be combined to make longer runs. Contact factory for additional lengths.

**WEIGHT:** Fixture weight = 2.0 lb/ft.