

FINELITE

Series X2-R Technical Sheet



Series X2-R is standard with a 25-cell cross blade baffle painted with 96% reflective white paint.

Date

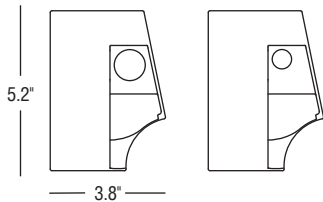
Project

Type

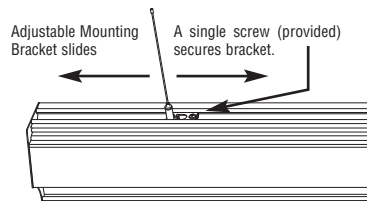
Comments

DESCRIPTION

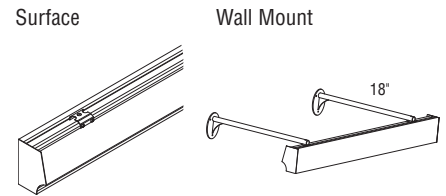
Series X2-R is an asymmetric wall wash luminaire that provides very even illumination on vertical surfaces. The rectilinear-shaped luminaire is available in 4', 8', and 12' lengths and comes standard in 1 T8, T5 or T5HO lamp cross-sections. Series X2-R is ideal for use in schools, offices, and retail where increased footcandle levels on whiteboards, artwork, or displays is required.



DIMENSIONS / LAMPING:
Available in 1 T8, T5 or T5HO lamps.



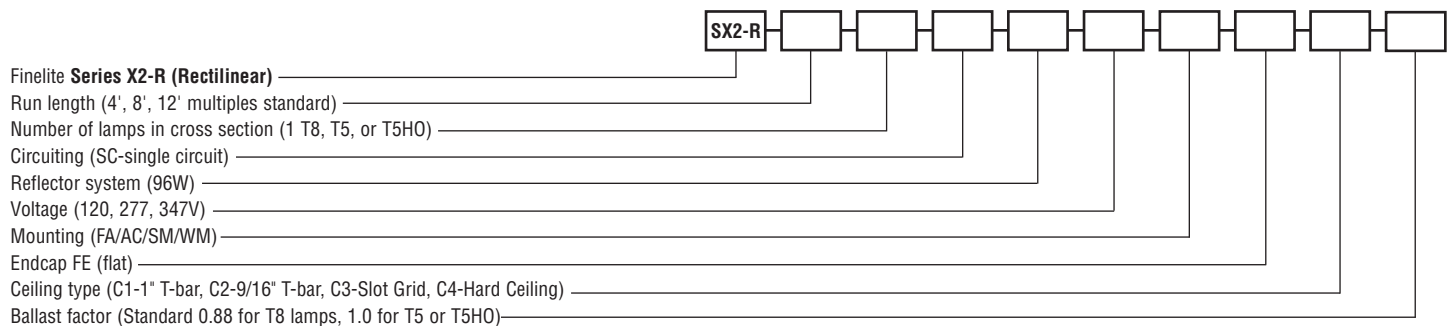
ADJUSTABLE MOUNTING:
Mounting points adjust along the entire length of the luminaire for added installation flexibility. Standard with fully adjustable cables.



OPTIONAL SURFACE OR WALL MOUNT:
Surface Mount Brackets allow Series X2 to be mounted directly to the ceiling. In addition, optional wall mount brackets are available and extend 18" from the wall. Contact factory for additional lengths.

ORDERING GUIDE

Sample Number: SX2-R - 32' - 1T8 - SC - 96W - 277 - FA - FE - C1 - 0.88



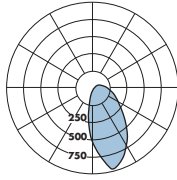
FINELITE

Series X2-R Technical Sheet

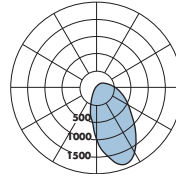
PHOTOMETRY



SX2-R: WCB-1T8-96W
 Efficiency: 47.8%
 Peak Candela Value: 932@ 15°
 LSI Report: 19787



SX2-R: WCB-1T5HO-96W
 Efficiency: 67.6%
 Peak Candela Value: 1921@ 15°
 LSI Report: 19786



CANDLEPOWER SUMMARY						
	0.0	22.5	45.0	67.5	90.0	Flux
0	645	645	645	645	645	
5	756	747	718	678	641	36
15	932	919	852	710	585	113
25	814	802	784	705	504	169
35	657	645	634	616	406	189
45	499	490	486	466	298	177
55	367	356	352	320	188	146
65	290	278	251	205	101	116
75	230	220	188	133	48	90
85	179	170	138	82	9	66
90	157	149	118	62	0	
95	138	130	100	45	0	47
105	106	97	66	26	0	32
115	78	70	48	0	0	20
125	60	53	8	0	0	11
135	2	2	0	0	2	1
145	0	0	0	0	0	0
155	0	0	0	0	0	0
165	0	0	0	0	0	0
175	0	0	0	0	0	0
180	0	0	0	0	0	0

CANDLEPOWER SUMMARY						
	0.0	22.5	45.0	67.5	90.0	Flux
0	1245	1245	1245	1245	1245	
5	1549	1531	1466	1354	1241	71
15	1921	1866	1686	1441	1137	229
25	1827	1403	1697	1799	982	360
35	1436	1426	1431	1289	799	410
45	1074	1068	1075	1041	598	387
55	823	800	771	724	386	326
65	651	627	564	460	226	260
75	516	493	421	299	111	202
85	399	380	309	183	22	148
90	347	330	262	138	0	
95	306	288	220	100	0	104
105	232	212	145	58	0	70
115	168	152	105	0	0	43
125	130	114	17	0	0	23
135	3	3	0	0	0	2
145	0	0	0	0	0	0
155	0	0	0	0	0	0
165	0	0	0	0	0	0
175	0	0	0	0	0	0
180	0	0	0	0	0	0

— Refer to www.finelite.com for additional photometry and product information.

SPECIFICATIONS

CONSTRUCTION: Body is 6063-T6 extruded aluminum with plug-together wiring standard. End brackets are constructed of 18-gauge steel. All components are hard-tooled to tolerances of 0.010".

ENDCAPS: (FE) Flat endcap standard, 18 gauge die-formed steel, adds 0.1" at each end. No exposed fasteners, holes, or knockouts.

REFLECTORS: (96W) Optical chamber is finished with 96% reflective white paint standard. Standard with white cross-blade baffles.

ELECTRICAL: 120 or 277V prewired. Fixture and electrical components UL/C-UL listed and fixture will bear UL/C-UL labels. Optional Adders: 347V ballast, emergency circuits, emergency battery packs. Contact factory.

LAMPING: Available in 1 T8, T5 or T5HO lamp cross sections.

BALLAST: Electronic instant-start ballast <10% THD, 0.88 BF standard for T8 lamps. Electronic rapid-start ballasts <10% THD, 1.0 BF standard for T5/T5HO lamps. Optional adders: rapid-start ballasts (standard for T5/T5HO), 347V, emergency battery packs, dimming ballasts (controls by others).

MOUNTING OPTIONS: (FA) 50" fully Adjustable aircraft cable standard with safety stop. Contact factory for additional lengths up to 150". Optional (AC) semi-adjustable aircraft cable (± 0.5") in lengths of 12", 15", 18", 21", 24", 27", 30", and 36".

Optional: (SM) Surface Mount mounts directly to the ceiling and requires optional mounting brackets.

Optional: (WM) Wall Mount bracket mounts directly to wall, extends fixture 18" from wall.

SUPPORT CABLES: Plated steel cable and hardware.

FEED: 18 gauge straight cord. 14 gauge feed cord used when fixture current exceeds 5 amps. Optional Adders: Coil Cord Feed.

FINISHES: Finelite Signal White powder coat finish standard with 96W finish on lamp compartment door. Optional Adders: 185 colors available from Tiger Drylac's RAL color chart.

LENGTHS: 4', 8', and 12' section lengths can be combined to make longer runs. Contact factory for additional lengths.

WEIGHT: Fixture weight = 2.0 lb/ft.