

**CROWE
41581
PENDANTS**

PROJECT



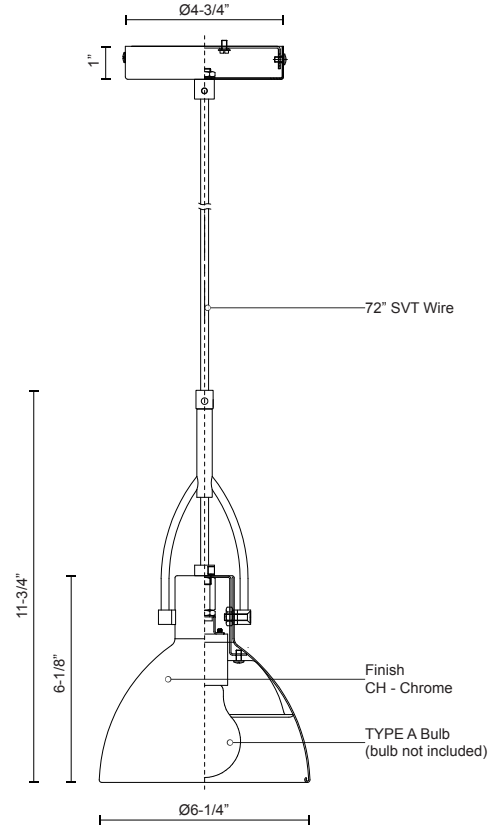
DESCRIPTION

Single lamp pendant with heavy chrome plated dome shaped metal reflector and with powder coated interior.

SPECIFICATION DETAILS

* For custom options, consult factory for details.

Fixture Dimensions	D6-1/4" x H11-3/4"
Lamp Type	Incandescent, A19, Medium Base
Bulbs Included	No
Wattage	1 x 100W
Voltage	120V
Shade Details	Heavy Spun Shade
Location	Dry
Warranty	5 Years
Canopy Dimensions	D4-3/4" x H1"



KUZCO

19054 28TH AVENUE
SURREY - BC V3Z 6M3
CANADA

WWW.KUZCOLIGHTING.COM

COMMENT

