

CIRZON
42331
 PENDANTS

PROJECT



42331W
 Brushed Nickel

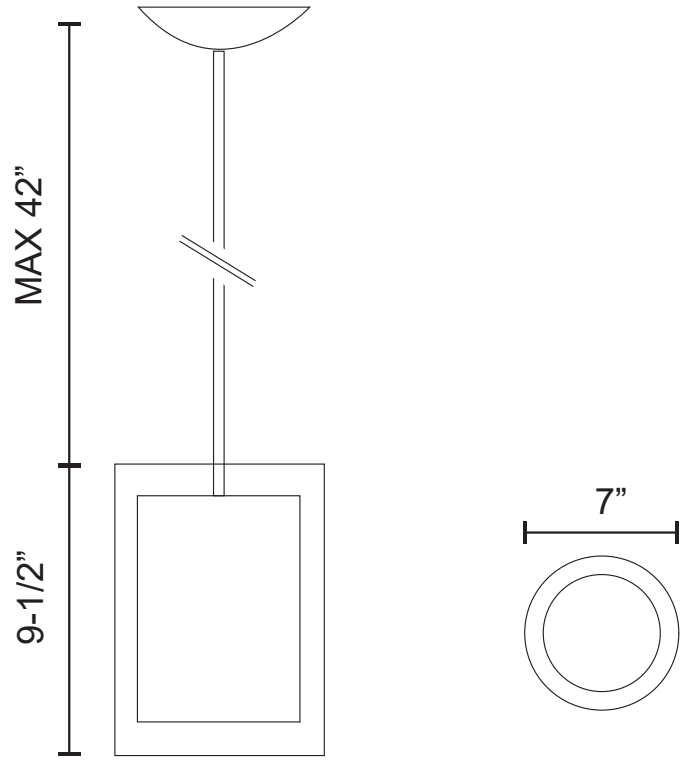
DESCRIPTION

Single lamp pendant with white round transparent shade with linen interior white shade and brushed nickel details.

SPECIFICATION DETAILS

* For custom options, consult factory for details.

Fixture Dimensions	D7" x H9-1/2"
Lamp Type	Incandescent, A19, Medium Base
Bulbs Included	No
Wattage	1 x 60W
Voltage	120V
Shade Details	Organza Outer, Textured White Inner Shade
Adjustable	Yes
Rod Length	42" Max (3x12" + 1x6")
Location	Dry
Warranty	5 Years
Product Adaptor	ADP001BN, Sold Separately
Canopy Dimensions	D4-3/4" x H1/4"



KUZCO

19054 28TH AVENUE
 SURREY - BC V3Z 6M3
 CANADA

WWW.KUZCOLIGHTING.COM

COMMENT

