

**DECO
461412
PENDANTS**

PROJECT



DESCRIPTION

Single-lamp pendant with revolved glass shade rests atop a visible metal inner structure. Configured as vintage brass, black or brushed nickel details with clear glass. Suspended with matching tubing. Available in two sizes.



461412-CL/BN
Brushed Nickel



461412-CL/BK
Black

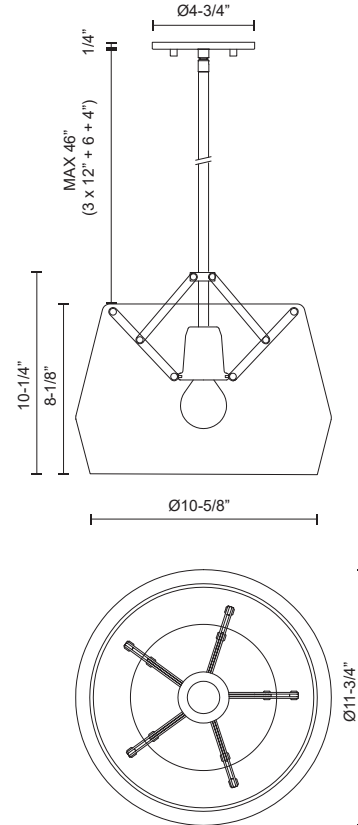


461412-CL/VB
Vintage Brass

SPECIFICATION DETAILS

* For custom options, consult factory for details.

Fixture Dimensions	D11-3/4" x H10-1/4"
Lamp Type	Incandescent, A19, Medium Base
Bulbs Included	No
Wattage	1 x 60W
Voltage	120V
Shade Details	Clear Glass Shade
Adjustable	Yes
Rod Length	46" Max (3x12" + 1x6" + 1x4")
Location	Dry
Warranty	5 Years
Canopy Dimensions	D4-3/4" x H1/4"



KUZCO

19054 28TH AVENUE
SURREY - BC V3Z 6M3
CANADA

WWW.KUZCOLIGHTING.COM

COMMENT

