

**MALTA**  
**51561**  
 FLUSH MOUNT

PROJECT

**DESCRIPTION**

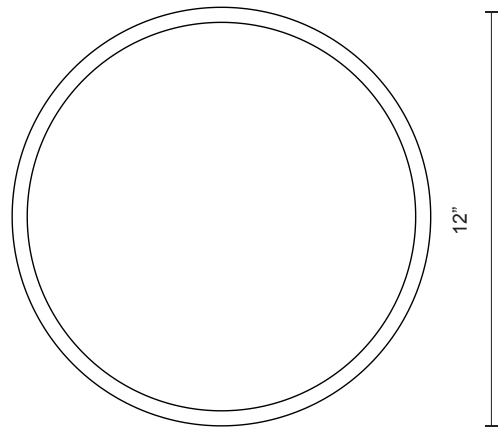
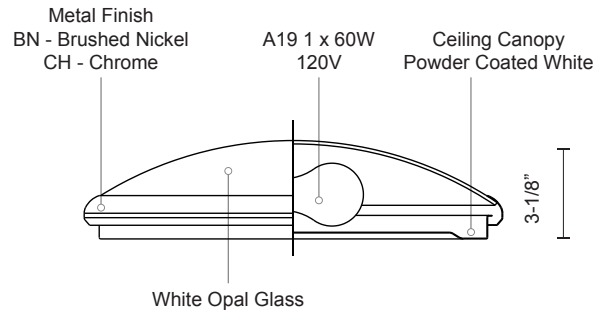
Single lamp flush mount ceiling fixture with white opal glass and your choice of brushed nickel or chrome metal finish.



51561BN  
 Brushed Nickel



51561CH  
 Chrome



**SPECIFICATION DETAILS**

\* For custom options, consult factory for details.

<b>Fixture Dimensions</b>	D12"x H3-1/8"
<b>Lamp Type</b>	Incandescent, A19, Medium Base
<b>Bulbs Included</b>	No
<b>Wattage</b>	1 x 60W
<b>Delivered Lumens</b>	CH-312lm
<b>Voltage</b>	120V
<b>Glass Details</b>	White Opal Glass
<b>Location</b>	Dry
<b>Warranty</b>	5 Years

COMMENT

**KUZCO**

19054 28TH AVENUE  
 SURREY - BC V3Z 6M3  
 CANADA

WWW.KUZCOLIGHTING.COM

