

RIVOLI
CH96121
CHANDELIERS

PROJECT



CH96121-PN
Polished Nickel



CH96121-BL
Black Plating



CH96121-VB
Vintage Brass

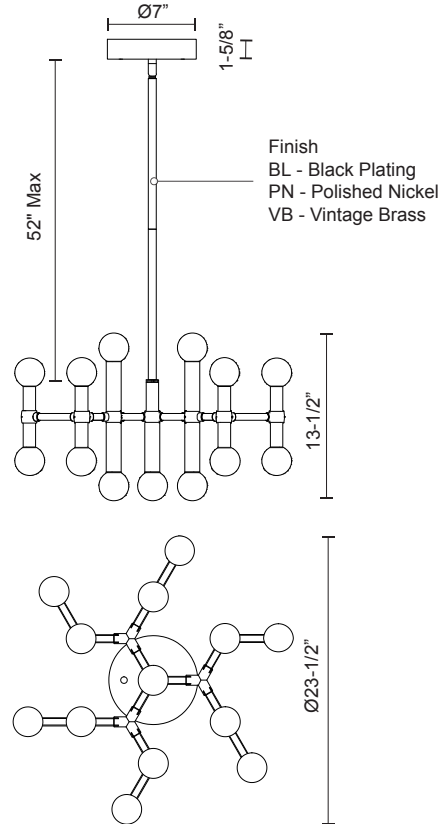
SPECIFICATION DETAILS

* For custom options, consult factory for details.

Fixture Dimensions	D23-1/2"x H13-1/2"
Light Source	LED
Wattage	65W
Total Lumens	5500lm
Delivered Lumens	PN-4400lm*
Voltage	120V
Color Temperature	3000K
CRI (Ra)	>90
Optional Color Temps	2700K - 5000K Available, Minimum Order Quantities Apply
LED Rated Life	50,000 hours
Dimming	100% - 10%, TRIAC or ELV Dimmer (Not Included)
Glass Details	White Opal Glass
Adjustable	Yes
Rod Length	52" Max (3x12" + 2x6" + 1x4")
Location	Dry
Warranty	5 Years
Canopy Dimensions	D7" x H1-5/8"

DESCRIPTION

Cast aluminum cylindrical structure. Spherical opal glass diffusers. Plated finish. Up and down light. Custom options available.



KUZCO

19054 28TH AVENUE
SURREY - BC V3Z 6M3
CANADA

WWW.KUZCOLIGHTING.COM

COMMENT

