

**BERLIN
CH9830
CHANDELIERS**

PROJECT



DESCRIPTION

Single-stem mounted interior pendant with 13 parallel pipes linked by struts with sweeping curves forming an almost Celtic-knot design within the fixture's circular ceiling plan. 12 concealed uplights plus 13 downlights emerge from machined Acrylic elements, each with its own light-control diffuser.



CH9830-VB
Vintage Brass

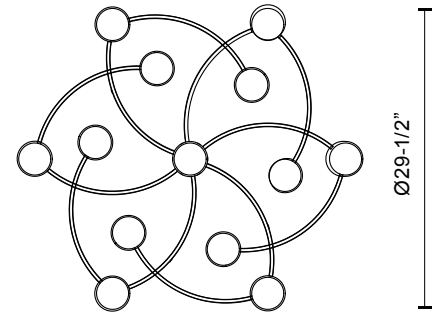
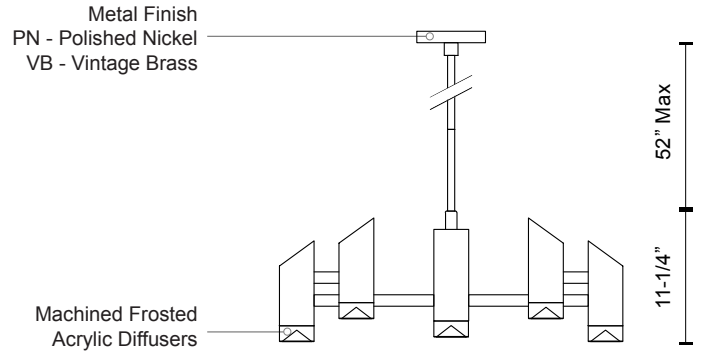


CH9830-PN
Polished Nickel

SPECIFICATION DETAILS

* For custom options, consult factory for details.

| | |
|-----------------------------|---|
| Fixture Dimensions | D29-1/2" x H11-1/4" |
| Light Source | LED |
| Wattage | 120W |
| Total Lumens | 10000lm* |
| Delivered Lumens | PN-6250lm* |
| Voltage | 120V |
| Color Temperature | 3000K |
| CRI (Ra) | >90 |
| Optional Color Temps | 2700K - 5000K Available, Minimum Order Quantities Apply |
| LED Rated Life | 50,000 hours |
| Dimming | 100% - 10%, ELV Dimmer (Not Included) |
| Diffuser Details | Machined Frosted Acrylic Diffuser |
| Adjustable | Yes |
| Rod Length | 52" Max (3x12" + 2x6" + 1x4") |
| Location | Dry |
| Warranty | 5 Years |
| Canopy Dimensions | D6" x H1-3/8" |



KUZCO

19054 28TH AVENUE
SURREY - BC V3Z 6M3
CANADA

WWW.KUZCOLIGHTING.COM

COMMENT

