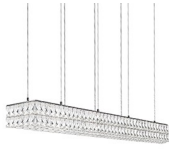


# SOLARIS LP78248

## PENDANTS

PROJECT



### DESCRIPTION

Aircraft cable suspended linear pendant with linear diamond cut clear crystal glass and rectangular Chrome canopy. The inner chrome chassis combines with the double layer crystals and concealed LED arrays to form a crisp, elegant appearance bridging classic old-world and modern minimal design elements. The smallest in a series of three sizes.



LP78248 (3000K)  
3000K

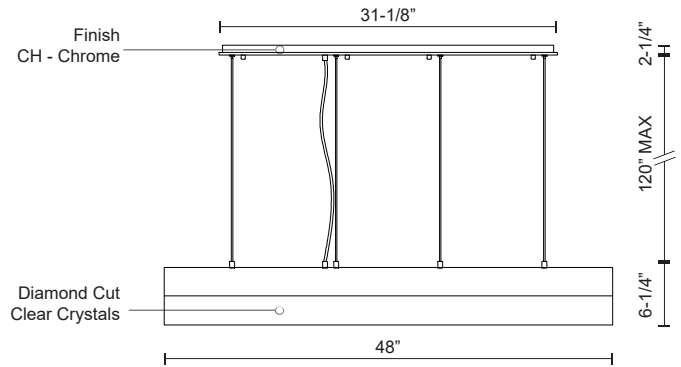


LP78248 (4000K)  
4000K

### SPECIFICATION DETAILS

\* For custom options, consult factory for details.

<b>Fixture Dimensions</b>	L48" x W8-1/4" x H6-1/4"
<b>Light Source</b>	LED
<b>Wattage</b>	158W*
<b>Total Lumens</b>	9600lm
<b>Delivered Lumens</b>	CH-5500lm*
<b>Voltage</b>	120V
<b>Color Temperature</b>	3000K; 4000K;
<b>CRI (Ra)</b>	>90
<b>Optional Color Temps</b>	2700K - 5000K Available, Minimum Order Quantities Apply
<b>LED Rated Life</b>	50,000 hours
<b>Dimming</b>	100% - 10%, ELV Dimmer (Not Included)
<b>Crystal Details</b>	Diamond Cut Clear Crystals
<b>Adjustable</b>	Yes
<b>Wire Length</b>	120" Max
<b>Wire Type</b>	Clear SVT Cord, Aircraft Cable
<b>Location</b>	Dry
<b>Warranty</b>	5 Years
<b>Canopy Dimensions</b>	L31-1/8" x W7-3/4" x H2-1/4"



# KUZCO

19054 28TH AVENUE  
SURREY - BC V3Z 6M3  
CANADA

WWW.KUZCOLIGHTING.COM

COMMENT