

**DECO**  
**PD61412**  
PENDANTS

PROJECT



**DESCRIPTION**

Inspired by vintage instruments and expanding lightweight structures the Deco line is a marriage of the new and old. The LED light source is encapsulated within a slim metal disk which appears to float at the center of the geometric glass shade. Multiple thin metal points support the glass which can be easily removed for installation or cleaning. Fine brushed finishes complement the distinguished aesthetic and gracefully contrast the contemporary shade.



PD61412-CL/VB  
Clear/Vintage Brass



PD61412-CL/BK  
Clear/Black

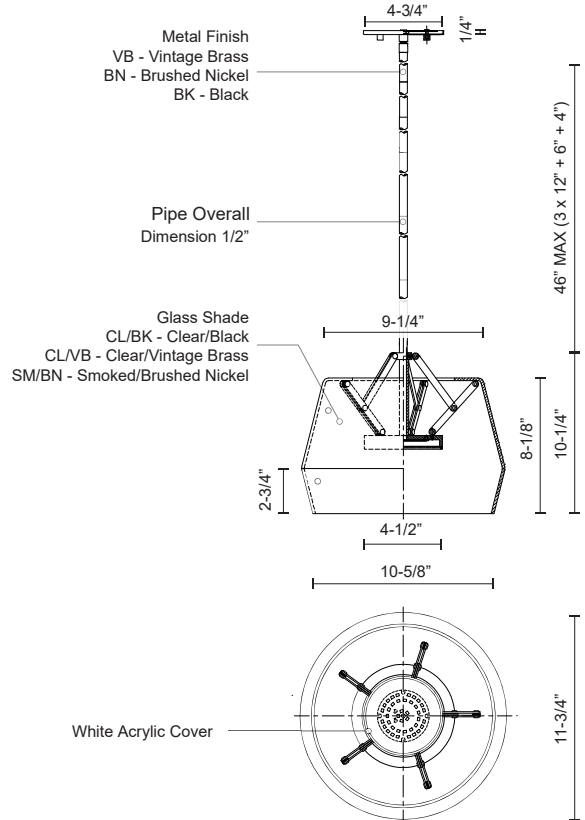


PD61412-SM/BN  
Smoked/Brushed  
Nickel

**SPECIFICATION DETAILS**

\* For custom options, consult factory for details.

<b>Fixture Dimensions</b>	D11-3/4" x H10-1/4"
<b>Light Source</b>	LED
<b>Wattage</b>	15W
<b>Total Lumens</b>	1200lm
<b>Delivered Lumens</b>	VB/CL-817lm
<b>Voltage</b>	120V
<b>Color Temperature</b>	3000K
<b>CRI (Ra)</b>	>90
<b>Optional Color Temps</b>	2700K - 5000K Available, Minimum Order Quantities Apply
<b>LED Rated Life</b>	50,000 hours
<b>Dimming</b>	100% - 10%, ELV Dimmer (Not Included)
<b>Glass Details</b>	Clear Glass
<b>Diffuser Details</b>	White Acrylic Diffuser
<b>Adjustable</b>	Yes
<b>Rod Length</b>	46" Max (3x12" + 1x6" + 1x4")
<b>Location</b>	Dry
<b>Warranty</b>	5 Years
<b>Canopy Dimensions</b>	D4-3/4" x H1/4"



**KUZCO**

19054 28TH AVENUE  
SURREY - BC V3Z 6M3  
CANADA

WWW.KUZCOLIGHTING.COM

COMMENT

