

SUPERNOVA WS10501

WALL

PROJECT



WS10501-BK
Black



WS10501-WH
White



WS10501-BN
Brushed Nickel

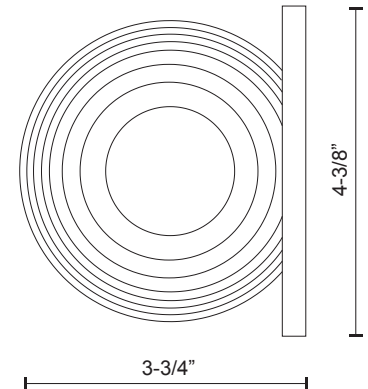
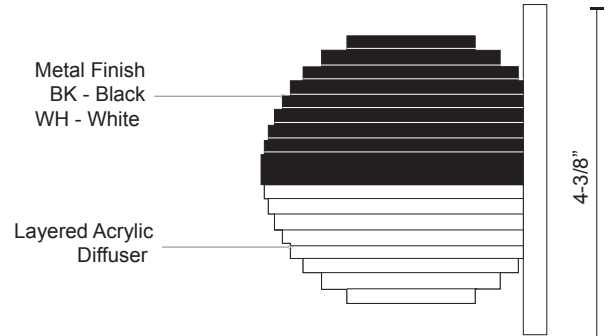
SPECIFICATION DETAILS

* For custom options, consult factory for details.

Fixture Dimensions	W4-3/8" x H4-3/8" x E3-3/4"
Light Source	LED
Wattage	5W
Total Lumens	400lm
Delivered Lumens	BK-260lm; BN-292lm; WH-327lm;
Voltage	120V
Color Temperature	3000K
CRI (Ra)	>90
Optional Color Temps	2700K - 5000K Available, Minimum Order Quantities Apply
LED Rated Life	50,000 hours
Dimming	100% - 10%, ELV Dimmer (Not Included)
Diffuser Details	Frosted acrylic diffuser
Location	Dry
Warranty	5 Years
ADA Compliant	Yes

DESCRIPTION

Unique LED wall sconce with a stratum sphere shaped cast aluminum with matching heavy gauge frosted acrylic diffuser. Patent pending fixture design is provided with our powerful 120V AC LED technology. May be mounted upward or downward and is available in matte black or matte white metal finishes. Upward and downward multi-pendant arrangements and single pendants available see series for full family details.



KUZCO

19054 28TH AVENUE
SURREY - BC V3Z 6M3
CANADA

WWW.KUZCOLIGHTING.COM

COMMENT

