

# PONDI WS63209

WALL

PROJECT

## DESCRIPTION

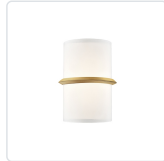
Horizontal plated or painted steel accent and wall plate. Extruded semi-circular opal glass diffuser. Outward emitting wall light. Custom options available.



WS63209-BK  
Black



WS63209-CH  
Chrome

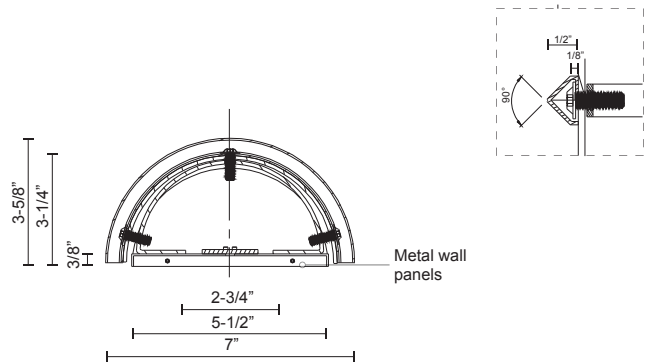
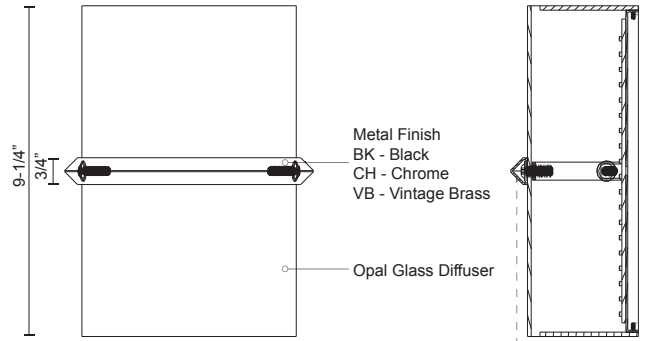


WS63209-VB  
Vintage Brass

## SPECIFICATION DETAILS

\* For custom options, consult factory for details.

<b>Fixture Dimensions</b>	W7"x H9-1/4" x L3-5/8"
<b>Light Source</b>	LED
<b>Wattage</b>	14W
<b>Total Lumens</b>	1000lm
<b>Delivered Lumens</b>	VB-679lm
<b>Voltage</b>	120V
<b>Color Temperature</b>	3000K
<b>CRI (Ra)</b>	>90
<b>Optional Color Temps</b>	2700K - 5000K Available, Minimum Order Quantities Apply
<b>LED Rated Life</b>	50,000 hours
<b>Dimming</b>	100% - 10%, ELV Dimmer (Not Included)
<b>Glass Details</b>	White Opal Glass
<b>Location</b>	Dry
<b>Warranty</b>	5 Years



# KUZCO

19054 28TH AVENUE  
SURREY - BC V3Z 6M3  
CANADA

WWW.KUZCOLIGHTING.COM

COMMENT

