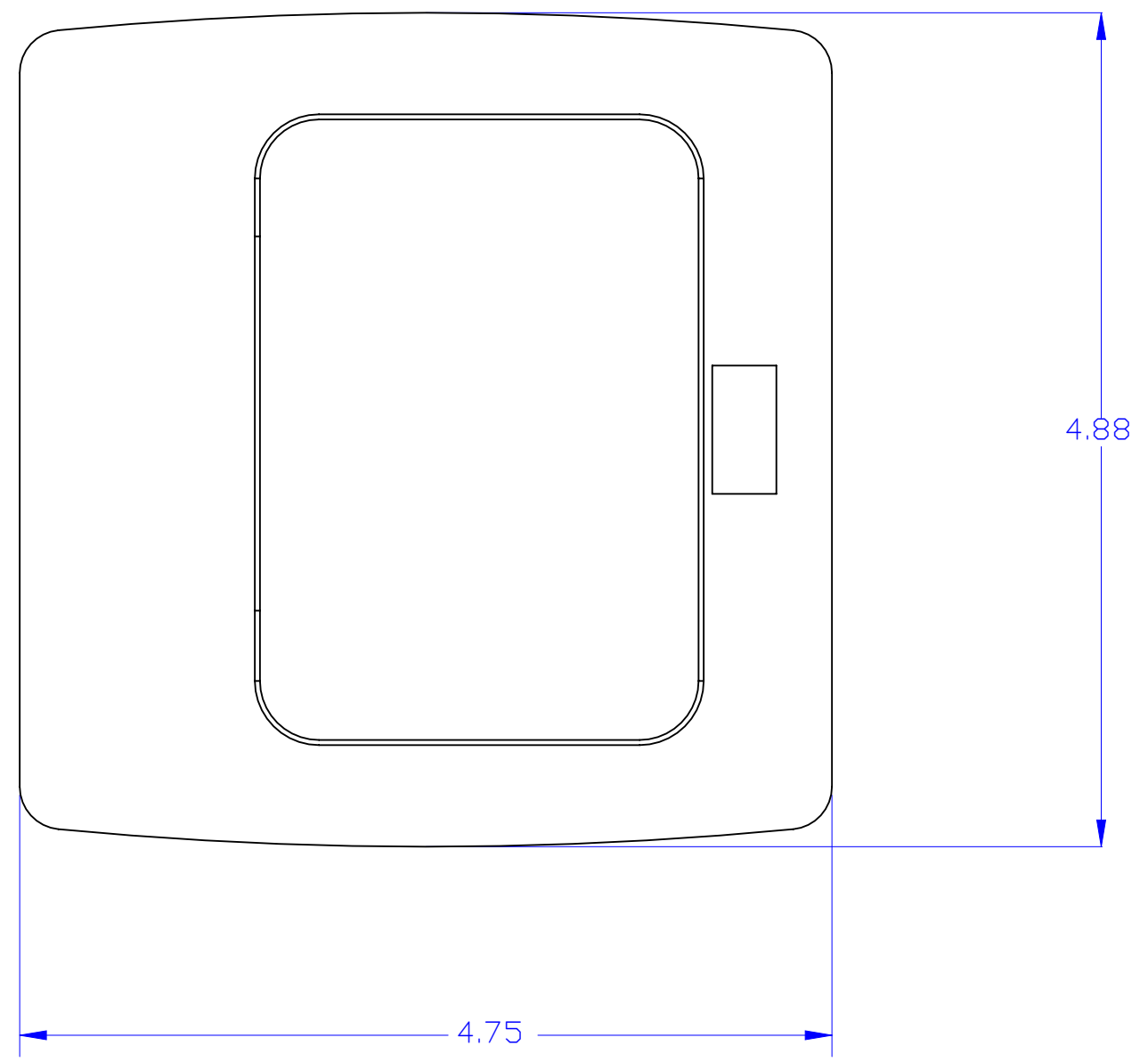


DESCRIPTION:
 Black Painted Pop Up Counter Top Plate
 with PUFF-WB (wood floor box)

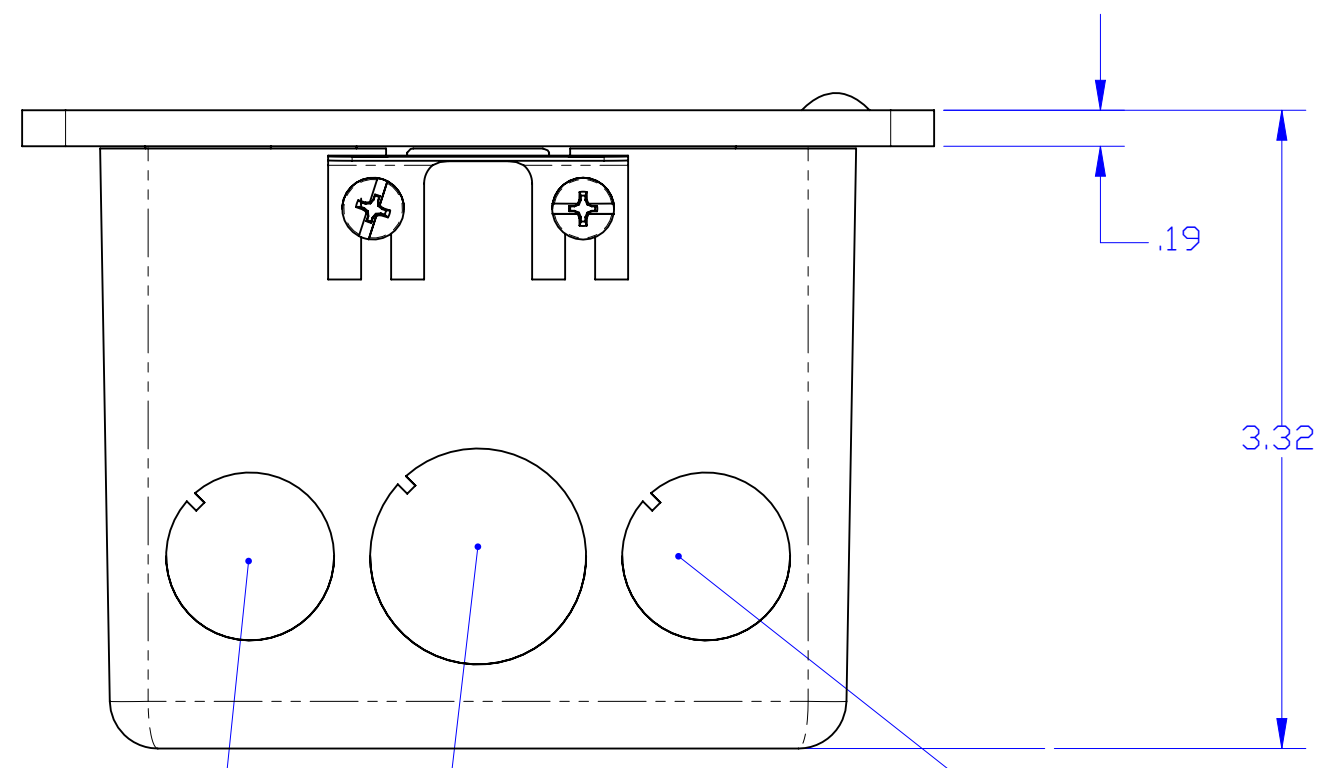
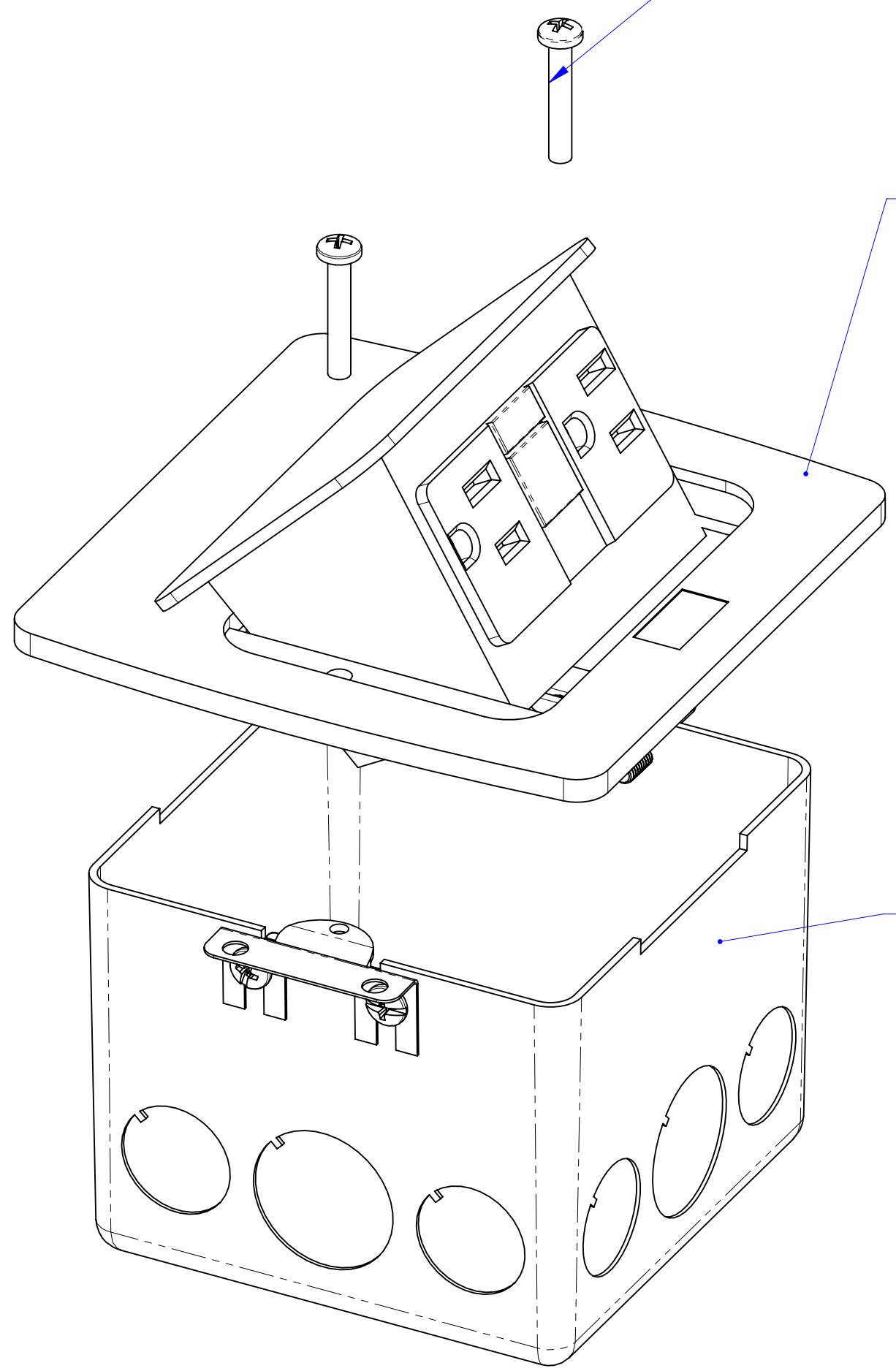
ZINC PLATED, [2] 8-32 X 1
 PAN HEAD SCREW [PROVIDED]

PUFP-CT-BK

PUFP-WB



TOP VIEW



FRONT VIEW

1/2" KNOCK-OUT TYP.
 (OPPOSITE SIDE)

3/4" KNOCK-OUT TYP.
 (OPPOSITE SIDE)

1/2" KNOCK-OUT TYP.
 (OPPOSITE SIDE)

LEW ELECTRIC
FITTINGS COMPANY
 SERVING THE ELCTRICAL INDUSTRY SINCE 1901
 1801 W. St. Charles Rd. Maywood, IL 60153
 PHONE: 708-345-2075

UNLESS OTHERWISE SPECIFIED:	NAME	DATE	TITLE: PUFP-CT-BK
DIMENSIONS ARE IN INCHES	DRAWN	9/10/2008	
TOLERANCES:			SIZE DWG. NO. REV C 200184 A
FRACTIONAL ±			
ANGULAR: MACH ± BEND ±			
TWO PLACE DECIMAL ±			WEIGHT: SHEET 2 OF 2
THREE PLACE DECIMAL ±			
INTERPRET GEOMETRIC TOLERANCING PER:	COMMENTS:		
MATERIAL			
FINISH			
DO NOT SCALE DRAWING			