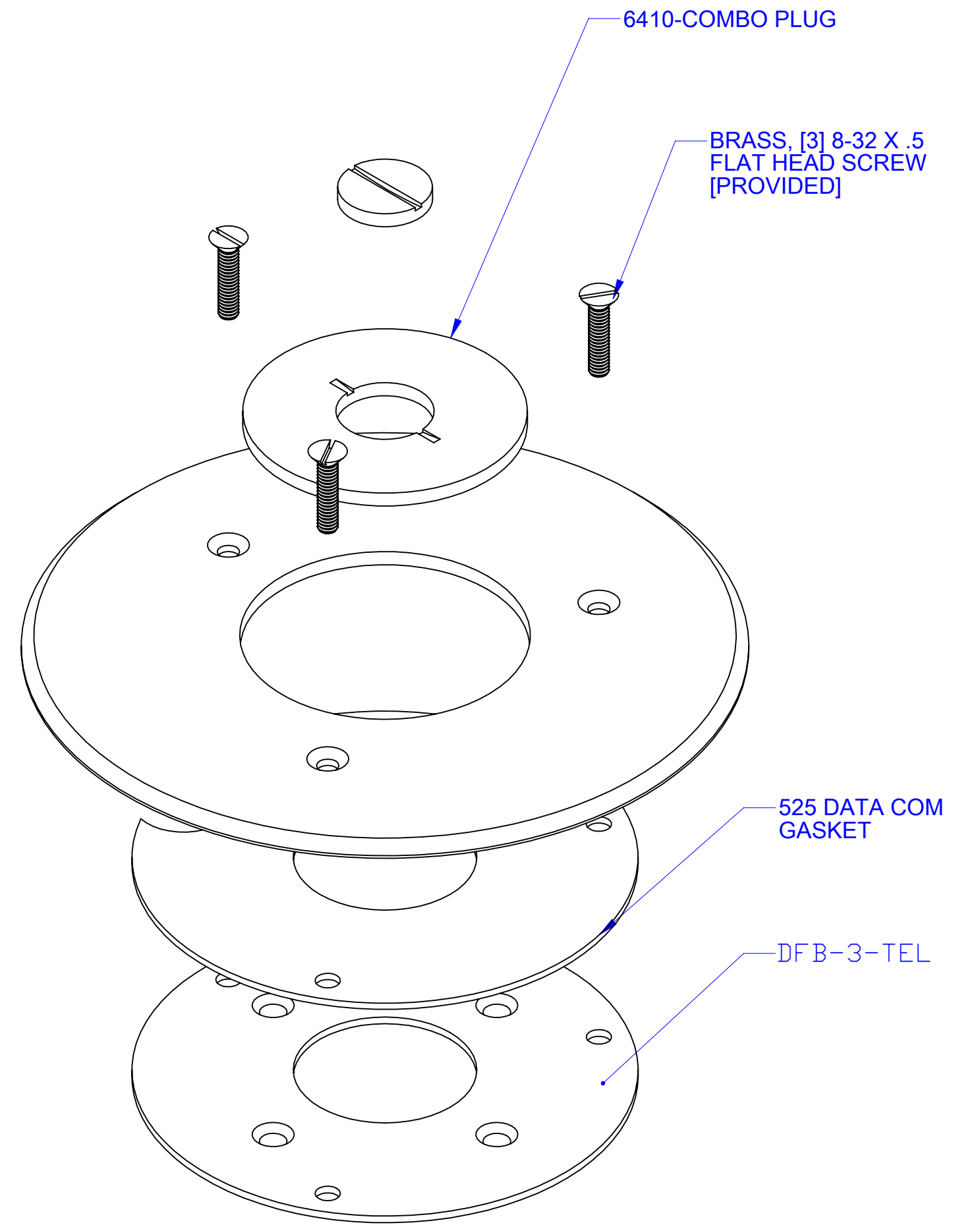
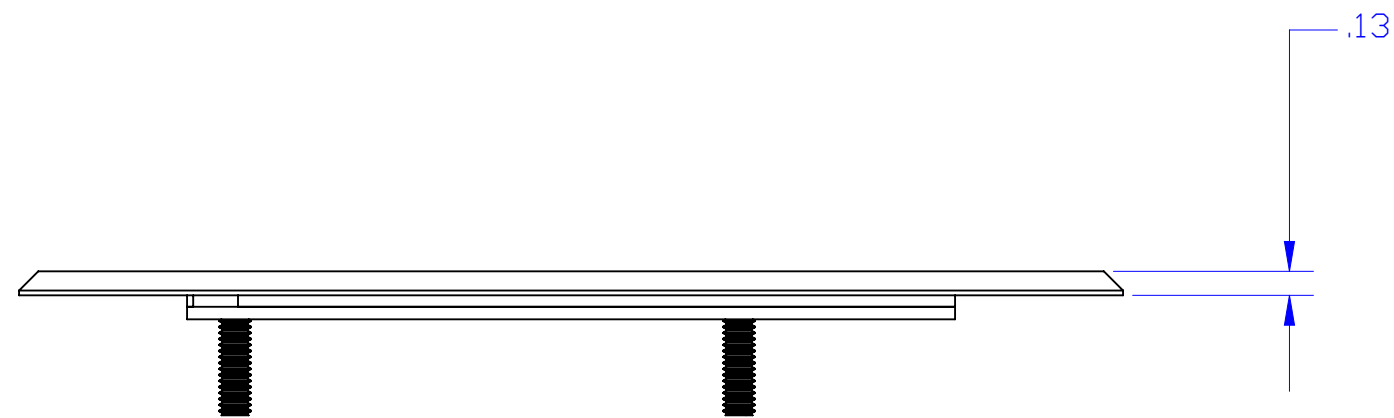
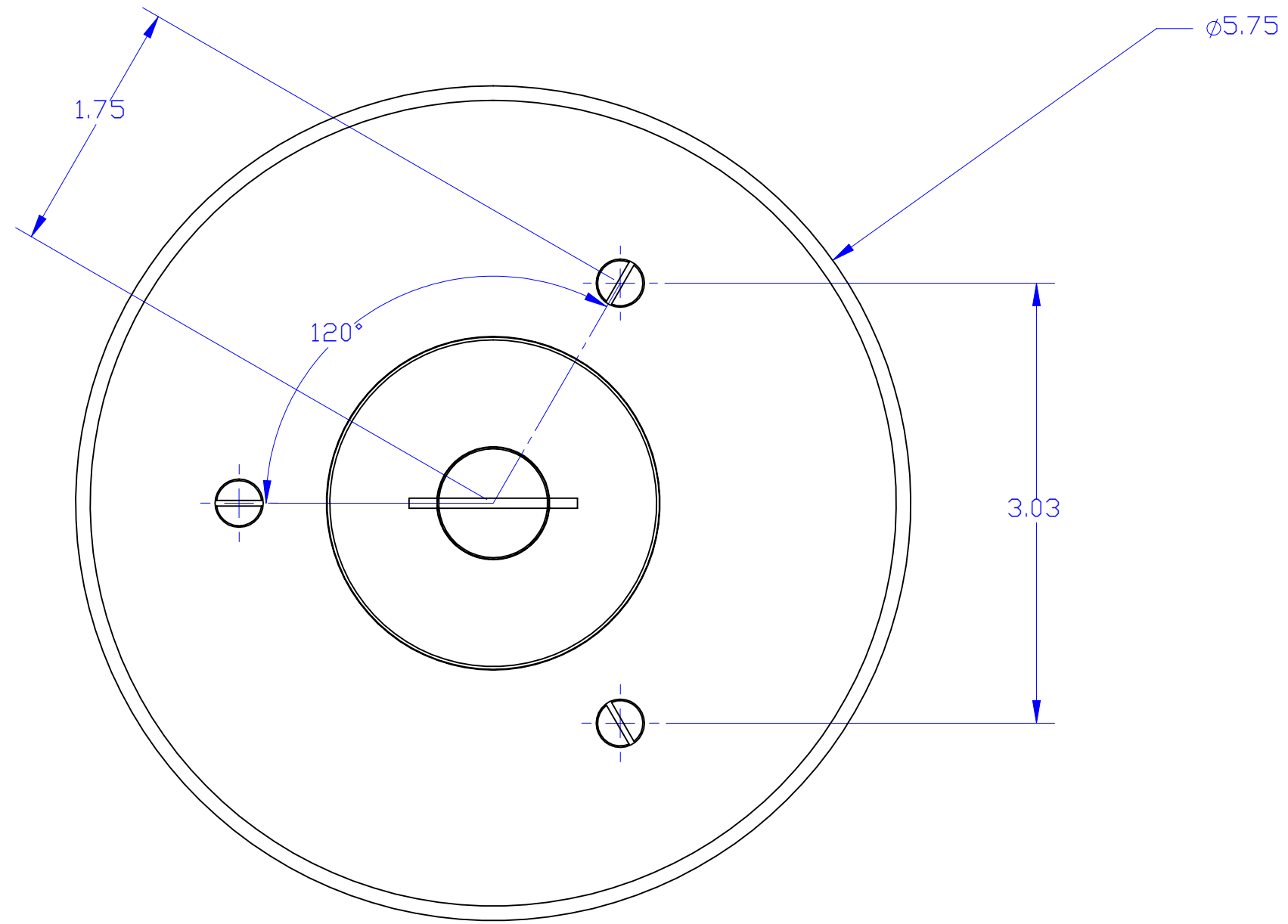



DESCRIPTION:  
 BRASS, 5 3/4" FLANGED COVER WITH 2-1/2"  
 COMBO PLUG FOR COM/DATA OR SINGLE  
 RECEPTACLE





**LEW ELECTRIC  
 FITTINGS COMPANY**  
 SERVING THE ELECTRICAL INDUSTRY SINCE 1901  
 1801 W. St. Charles Rd. Maywood, IL 60153  
 PHONE: 708-345-2075

UNLESS OTHERWISE SPECIFIED:		NAME	DATE	TITLE: <b>TCP-1</b>
DIMENSIONS ARE IN INCHES		DRAWN	P.J.G. 9/25/2007	
TOLERANCES:				SIZE DWG. NO. REV <b>C</b> 100120 <b>A</b>
FRACTIONAL ±				
ANGULAR: MATCH ± BEND ±				
TWO PLACE DECIMAL ± THREE PLACE DECIMAL ±				
INTERPRET GEOMETRIC TOLERANCING PER:		COMMENTS:		WEIGHT: SHEET 1 OF 3
MATERIAL				
FINISH				
DO NOT SCALE DRAWING				