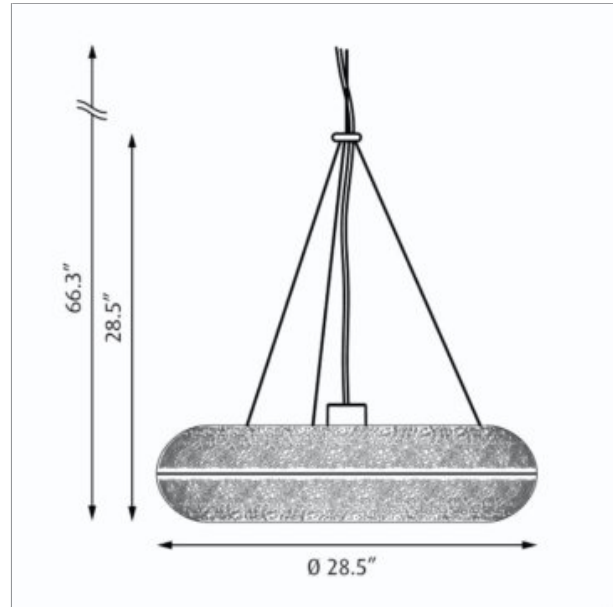


Aeros



Design: Ross Lovegrove

Concept: The fixture emits warm diffuse light directed primarily downwards. The reflector design is based on the organic Fibonacci pattern and provides a rare and appealing light distribution, as well as a decorative effect on the fixture. The organically inspired perforation pattern on the body of the fixture also provides an interesting and mystical lighting effect. The fixture has an almost three-dimensional expression, which makes it appear to float in the room.

Finish: Golden Sand or white wet painted.

Material: Canopy: Spun aluminum. Wire connector: Turned aluminum. Shades: Deep drawn aluminum. Diffuser: Acrylic satin.

Mounting: Suspension type: 3x stainless steel aircraft cables. Suspension length including extension kit: 12'.

Canopy: Golden sand. Cord type: 3-conductor, 18 AWG white PVC power cord. Cord length: 12'.

Weight: Max. 9.9 lbs.

Label: cULus, Dry location. IBEW.

Product code	Light source	Voltage	Finish
AEROS-P	1/39W/CMH/T4.5 G8.5 1/75W/Halogen/1-4 GY6.35	120V 120/12V	GOLDEN SAND ALU

Specification notes

- a. CMH variants provided with one integral 120-277V electronic ballast.
- b. Halogen variants provided with one integral 120/12V electronic transformer.

Info notes

- I. The comparable EU version has the following classification: Ingress Protection Code: IP20.