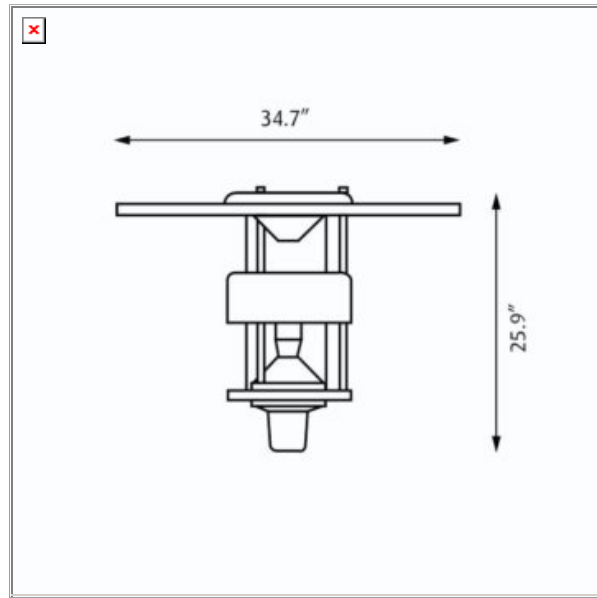


Albertslund Maxi Post



Design: Jens Møller-Jensen

Concept: The fixture emits symmetrical glare-free light directed downwards. The top shade helps direct the light downwards and prevent light from being emitted upwards. The white painted reflectors result in diffuse and comfortable light distribution.

Finish: Graphite grey, grey, white or natural painted aluminum, powder coated.

Material: Top shade: Die formed fiber glass. Enclosure: Injection molded clear polycarbonate. Anti-glare ring: Injection molded polycarbonate. Heat sink (LED variant): Die cast aluminum. Base: Die cast aluminum. Struts: Stainless steel. Struts (LED variant): Aluminum.

Mounting: Post top: Mounted on dual round aluminum (DRA) or round straight aluminum (RSA) pole.

Weight: Max. 32 lbs.

Label: cULus, Wet location. IBEW.

Product code	Light source	Voltage	Finish	Transition to pole
ALB-MAX-PT	1/ 150W/MH/ED-28 mogul 1/ 250W/MH/ED-28 mogul	120/277V	GRAPH GREY NAI PAINT ALU WHI	T-DRA-5"-3" I-RSA-4.5"

Specification notes

- a. MH variants provided with one 120/277V F-can style ballast to be mounted in the pole.
- b. LED variants provided with two 120-277V integral dimmable electronic drivers.
- c. All LED wattages are system power.
- d. LED variants only available with T-RSA-4.5" pole.

Info notes

- I. Enclosure is U.V. stabilized polycarbonate.
- II. Opaque anti-glare rings for grey variants are painted to match grey finishes.
- III. White opal anti-glare ring is provided with white finish.
- IV. For pole selection, refer to Pole page.
- V. The comparable EU version has the following classification: Ingress Protection Code: IP66.
- VI. LED technology is rapidly changing. Specifications are based on present technology. For most up to date specifications see www.louispoulsen.com.

