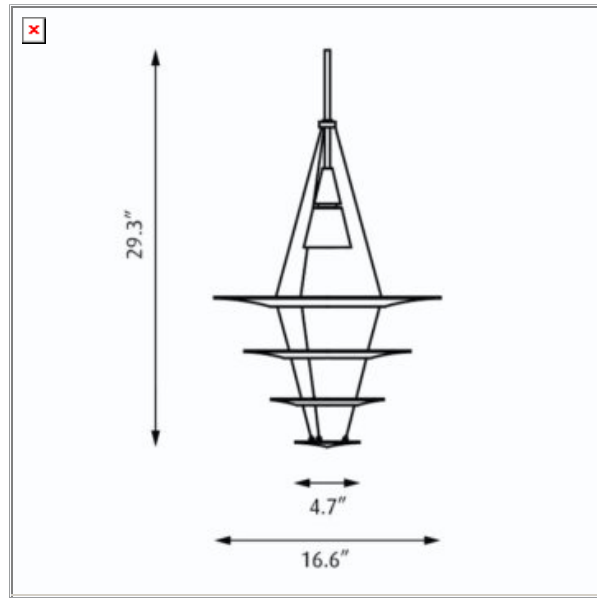
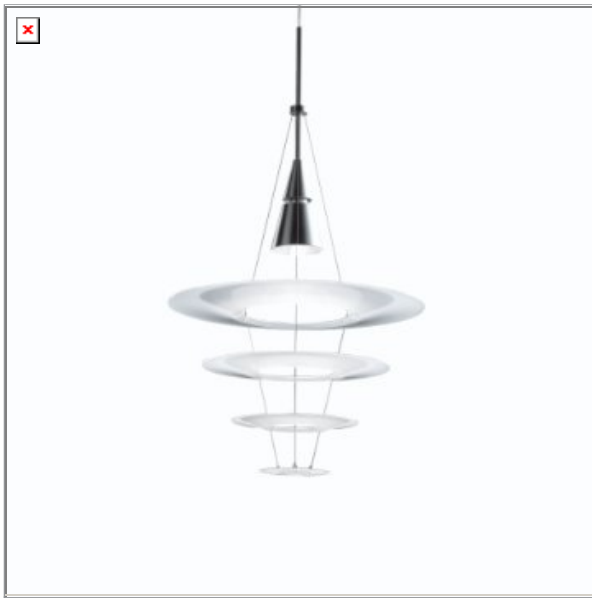


Enigma 425



Design: Shoichi Uchiyama

Concept: The fixture emits glare-free, soft, comfortable downward light. The shade design ensures even illumination of the surface. The matte upper surface diffuses the light, while the shiny lower surface ensures optimal reflection.

Finish: Aluminum, brushed and lacquered. Matte coated acrylic.

Material: Cone: Cast aluminum. Shades: Matte coated acrylic. Pendant stem: Extruded brushed aluminum.

Mounting: Suspension length: 12'. Canopy: White. Cord type: 3-conductor, 18 AWG white PVC power cord. Cord length: 12'.

Weight: Max. 3 lbs.

Label: cULus, Dry location. IBEW.

Product code	Light source	Voltage	Finish
ENIG425	1/50W/PAR16 GU10	120V	BR ALU

Specification notes
a. Incandescent variants only available in 120V.

Info notes
I. The comparable EU version has the following classification: Ingress Protection Code: IP20.

