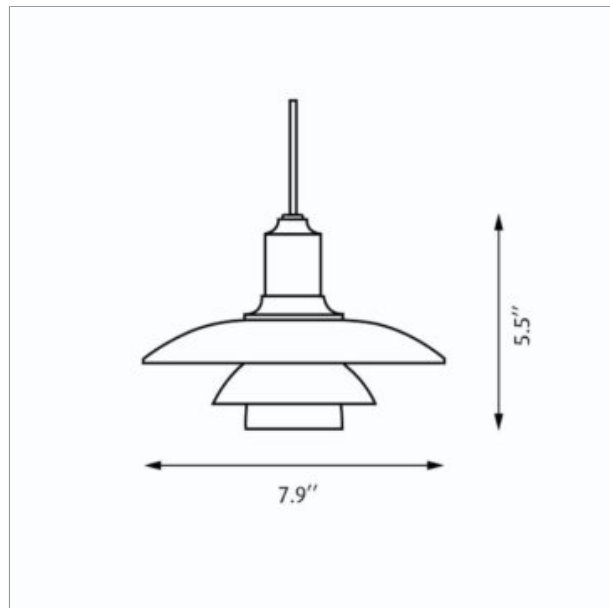


PH 2/1 Pendant



Design: Poul Henningsen

Concept: The fixture is designed based on the principle of a reflective three-shade system, which directs the majority of the light downwards. The shades are made of hand-blown opal three-layer glass, which is glossy on top and sandblasted matte on the underside, giving a soft and uniform light distribution.

Finish: High lustre chrome plated. White opal glass.

Material: Shades: Handblown white opal glass. Suspension: High lustre chrome plated, spun aluminum.

Mounting: Canopy: White. Cord type: 3-conductor, 18 AWG black PVC power cord. Cord length: 12'.

Weight: Max. 3 lbs.

Label: cULus, Dry location. IBEW.

Product code	Light source	Voltage	Finish
PH2/1-P	1/40W/G16.5/IF candelabra	120V	CHR

Info notes

I. All handblown opal glass shades are sandblasted on the undersides for uniform light distribution.

II. The comparable EU version has the following classification: Ingress Protection Code: IP20.

**louis
poulsen**