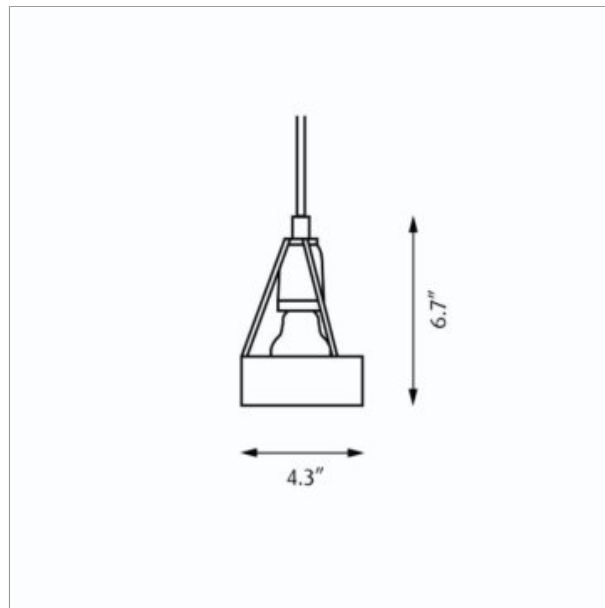


Pakhus



Design: Erik Møllers Tegnestue A/S

Concept: The fixture is an example of minimalistic lighting technology, with a primary focus on pointshaped light sources. The anti-glare ring eliminates direct glare from the focal point of the light source, while permitting optimal light distribution both upward and downward.

Finish: White, powder coated.

Material: Anti-glare ring: Extruded steel.

Mounting: Canopy: White. Cord type: 3-conductor, 18 AWG white PVC power cord. Cord length: 12'.

Weight: Max. 3 lbs.

Label: cULus, Dry location. IBEW.

Product code	Light source	Voltage	Finish
PAK-P	1/75W/A-19/CL medium	120V	WHT

Info notes

1. The comparable EU version has the following classification: Ingress Protection Code: IP20.

**louis
poulsen**