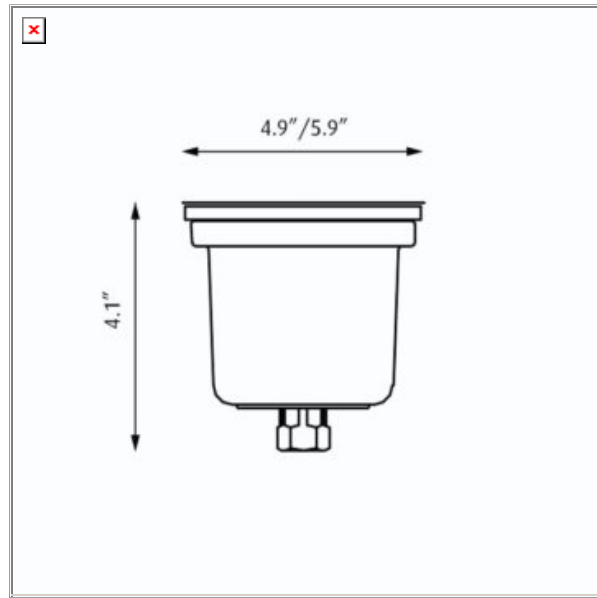
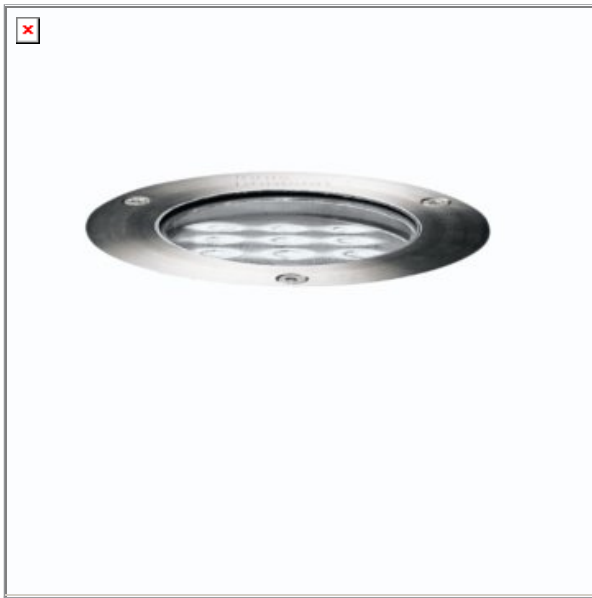


# Nimbus Power LED



Design: Louis Poulsen Lighting A/S

Concept: The fixture with 9 light emitting diodes with a 15W system power provides accent and marker illumination, and sets scenes, creating drama and highlighting architectural features.

Finish: Stainless steel.

Material: Sleeve: Marine grade 316 stainless steel. Glass: Tempered anti-slip glass or tempered clear glass. Top plate: Marine grade 316 stainless steel. Housing: Anodized and powder coated paint containing PTFE, die cast aluminum.

Mounting: Sleeve: Recommended mounting in optional installation sleeve. Inground: Suitable for burial in earth/gravel or cast into concrete.

Weight: Max. 7 lbs.

Label: cULus, Wet location. IBEW.

Product code	Light source	Voltage	Finish	Diff./Encl./Glass	Top plate style	Options
NIM-PWR	15W LED Blue 15W LED White 6000K	120V 277V	ST STEEL	ANTI-SLIP CLEAR	BEVELED STRAIGHT	W/ SLEEVE W/O SLEEVE

**Specification notes**

- a. Provided with integral pre-assembled LED board and 120V or 277V transformer.
- b. All LED wattages are system power.

**Info notes**

- I. Please refer to product/accessory compatibility page.
- II. The comparable EU version has the following classification: Ingress Protection Code: IP67.
- III. LED technology is rapidly changing. Specifications are based on present technology. For most up to date specifications see [www.louispoulsen.com](http://www.louispoulsen.com).

