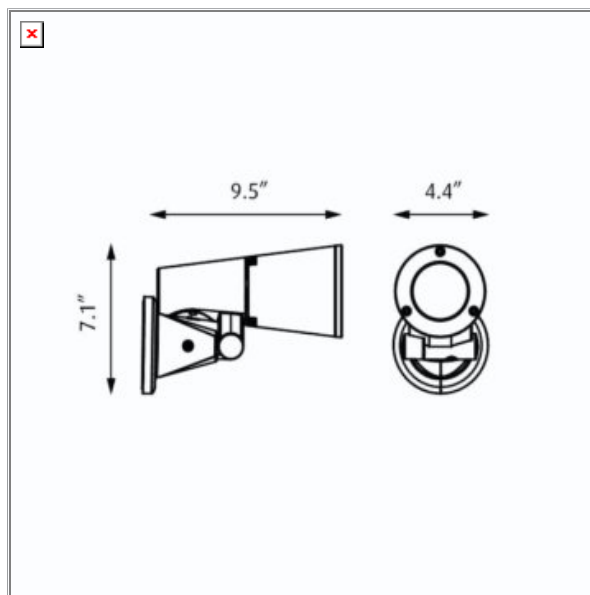
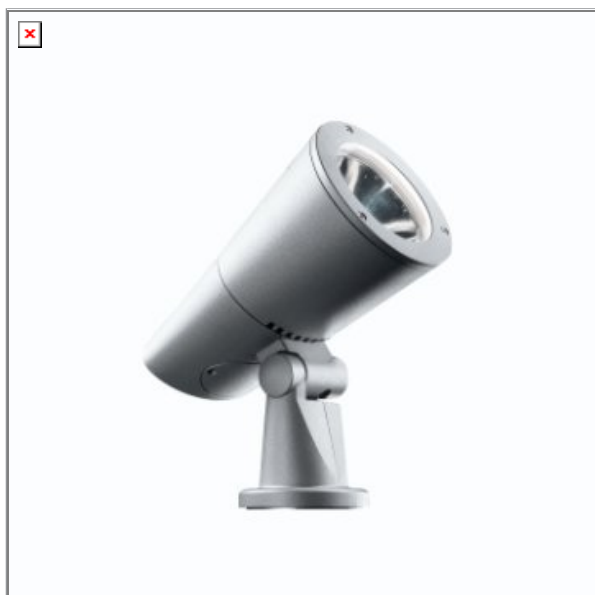


SPR10



Design: David Morgan Associates

Concept: The fixture emits even, channeled light. This small, compact projector is primarily suited for strategic, creative placement close to the architectural elements to be highlighted, such as window recesses. Three different interchangeable reflector types provide the following light distributions: 8° narrow beam, 30° medium beam and 70° wide beam.

Finish: Aluminum colored with textured surface, powder coated.

Material: Glass: Tempered clear glass. Front plate: High pressure molded aluminum. Base: Marine grade 316 stainless steel. Housing: High pressure molded aluminum. Body: High pressure molded aluminum.

Mounting: Installation: Mounting plate for fixing direct to hard surfaces, earthspike or pole top adaptor. It can be tilted vertically through 100°.

Weight: Max. 9 lbs.

Label: cULus, Wet location. IBEW.

Product code	Light source	Voltage	Finish	Reflector/Optics
SPR10	1/35W/Halogen/T-4.5 GY 6.35	120/12V 277/12V	ALU COL BLK TEXT	8° 30° 70°

Specification notes

a. Provided with one 120/12V or 277/12V integral transformer.

Info notes

I. Please refer to product/accessory compatibility page.

II. The comparable EU Version has the following classification: Ingress Protection Code: IP66.

