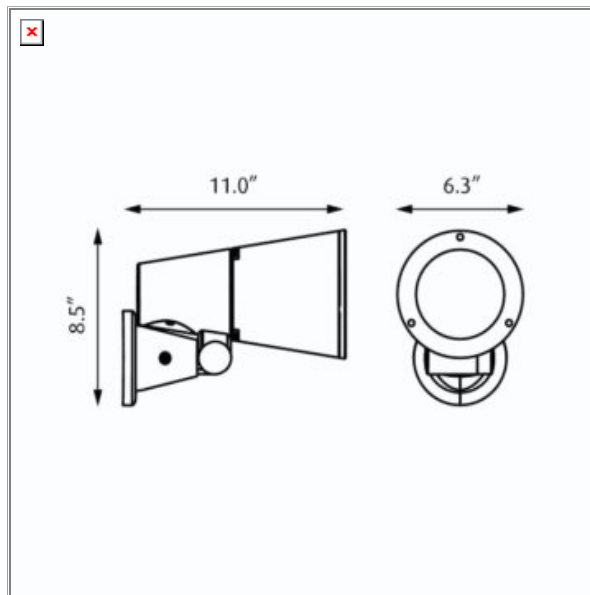
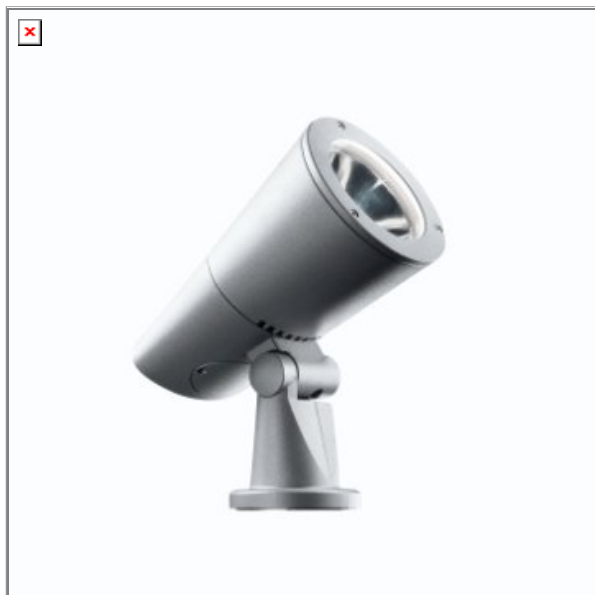


# SPR12



Design: David Morgan Associates

Concept: The fixture emits even, channeled light. The small, compact projector is primarily suited to architectural highlights and smaller surfaces. Three types of interchangeable reflectors provide the following light distributions: 8° narrow beam, 30° medium beam and 70° wide beam.

Finish: Aluminum colored with textured surface, powder coated.

Material: Glass: Tempered clear glass. Front plate: High pressure molded aluminum. Base: Marine grade 316 stainless steel. Housing: High pressure molded aluminum. Body: High pressure molded aluminum.

Mounting: Installation: Mounting plate for fixing direct to hard surfaces, earthspike or pole top adaptor. It can be tilted vertically through 100°.

Weight: Max. 12 lbs.

Label: cULus, Wet location. IBEW.

Product code	Light source	Voltage	Finish	Reflector/Optics
SPR12	1/39W/CMH/14.5 G8.5 1/70W/CMH/14.5 G8.5	120-277V 120V	ALU COL	8° 30° 70°

**Specification notes**

- a. 1/39W CMH provided with one 120V integral ballast only.
- b. 1/70W CMH provided with one 120-277V integral ballast.

**Info notes**

- I. Please refer to product/accessory compatibility page.
- II. The comparable EU Version has the following classification: Ingress Protection Code: IP66.

