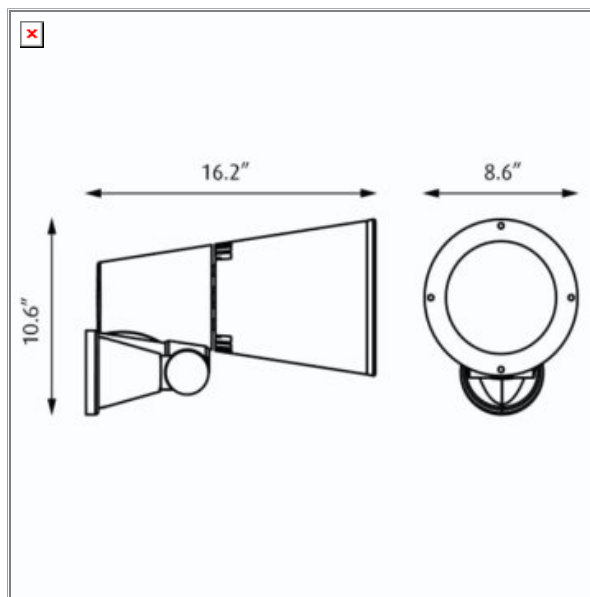


SPR14



Design: David Morgan Associates

Concept: The fixture emits even, channeled light. The large but compact projector is suited to applications requiring high-efficiency in combination with aesthetic presence. Five different interchangeable reflector types provide the following light distribution options: 8° narrow beam, 15° spot, 30° medium beam, 60° wide beam, and a relatively rectangular 105° x 140°.

Finish: Aluminum colored with textured surface, powder coated.

Material: Glass: Tempered clear glass. Front plate: High pressure molded aluminum. Base: Marine grade 316 stainless steel. Housing: High pressure molded aluminum. Body: High pressure molded aluminum.

Mounting: Installation: Mounting plate for fixing direct to hard surfaces, earthspike or pole top adaptor. It can be tilted vertically through 100°.

Weight: Max. 23 lbs.

Label: cULus, Wet location. IBEW.

Product code	Light source	Voltage	Finish	Reflector/Optics
SPR14	1/70W/CMH/T-6 G12	120-277V	ALU COL BLK TEXT	8° 15° 30° 60° 105°x140°

Specification notes

a. 1/70W CMH provided with one 120-277V integral ballast.

Info notes

I. Please refer to product/accessory compatibility page.

II. The comparable EU Version has the following classification: Ingress Protection Code: IP66.

