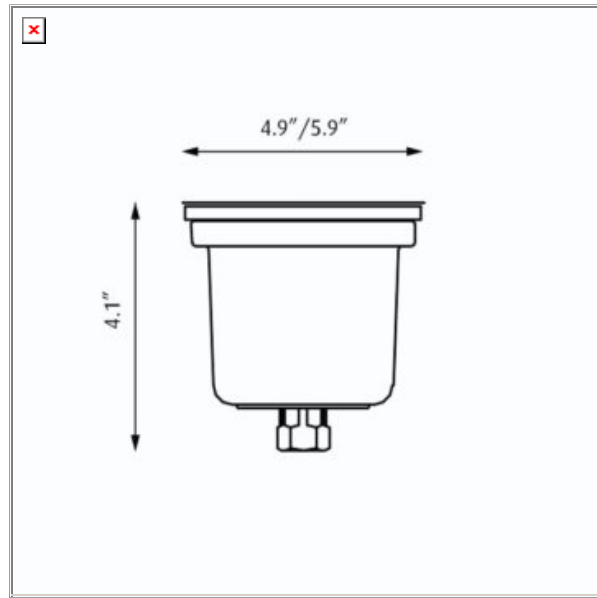


Nimbus Clear LED



Design: Louis Poulsen Lighting A/S

Concept: The fixture with 28 light emitting diodes with a 6W system power is a symmetrical illuminator. Depending on the chosen shield or diffuser, the characteristics of the light can vary. Nimbus Clear LED is suitable for decorative accent lighting, both for indoor and outdoor use.

Finish: Stainless steel.

Material: Sleeve: Marine grade 316 stainless steel. Glass: Tempered anti-slip glass or tempered clear glass. Top plate: Marine grade 316 stainless steel. Housing: Anodized and powder coated paint containing PTFE, die cast aluminum.

Mounting: Sleeve: Recommended mounting in optional installation sleeve. Inground: Suitable for burial in earth/gravel or cast into concrete.

Weight: Max. 4.4 lbs.

Label: cULus, Wet location. IBEW.

Product code	Light source	Voltage	Finish	Diff./Encl./Glass	Top plate style	Options
NIM-CLEAR	6W LED Blue 6W LED White 5600K	120V 277V	ST STEEL	ANTI-SLIP CLEAR	BEVELED STRAIGHT	W/ SLEEVE W/O SLEEVE

Specification notes

- a. Provided with integral pre-assembled LED board and 120V or 277V transformer.
- b. All LED wattages are system power.

Info notes

- I. Please refer to product/accessory compatibility page.
- II. The comparable EU version has the following classification: Ingress Protection Code: IP67.
- III. LED technology is rapidly changing. Specifications are based on present technology. For most up to date specifications see www.louispoulsen.com.

