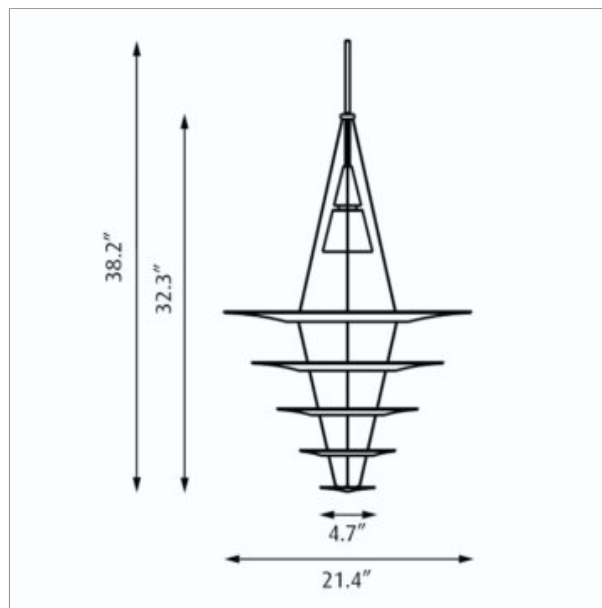


Enigma 545



Design: Shoichi Uchiyama

Concept: The fixture emits glare-free, soft, comfortable downward light. The shade design ensures even illumination of the surface. The matte upper surface diffuses the light, while the glossy lower surface ensures optimal reflection.

Finish: Aluminum, brushed and lacquered. Matte coated acrylic.

Material: Cone: Cast aluminum. Shades: Matte coated acrylic. Pendant stem: Extruded brushed aluminum.

Mounting: Suspension length: 12'. Canopy: White. Cord type: 3-conductor, 18 AWG white PVC power cord. Cord length: 12'.

Weight: Max. 4.4 lbs.

Label: cULus, Dry location. IBEW.

| Product code | Light source | Voltage | Finish | Suspension |
|--------------|--|---------|--------|-------------------------------------|
| ENIG-545-P | 1/50W/PAR16 GU10 1/20W HIT MR16 GX10 US | 120V | BR ALU | NOT APPLICABLE WITH 4M EXTENSION |

Specification notes

- a. CMH variants provided with one integral 120V electronic ballast.
- b. Incandescent variants only available in 120V.

Info notes

- I. The comparable EU version has the following classification: Ingress Protection Code: IP20.

**louis
poulsen**