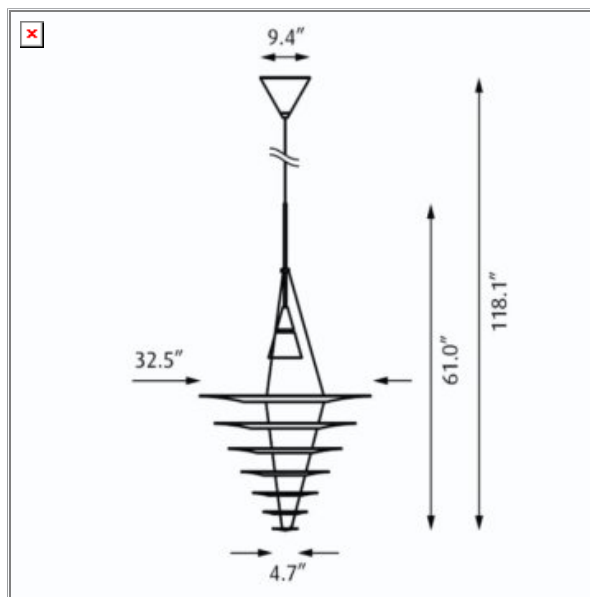
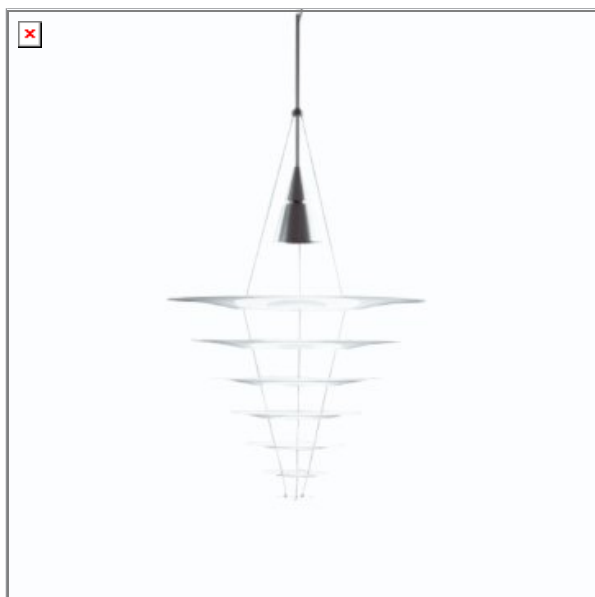


Enigma 825



Design: Shoichi Uchiyama

Concept: The fixture emits glare-free, soft, and comfortable downward light. The shade design ensures even illumination of the surface. The matte upper surface diffuses the light, while the glossy lower surface ensures optimal reflection.

Finish: Aluminum, brushed and anodized. Matte acrylic.

Material: Cone: Anodized brushed aluminum. Shades: Matte acrylic. Pendant stem: Extruded aluminum, brushed and anodized.

Mounting: Suspension type: 1x stainless steel aircraft cable. Suspension length: 12'. Canopy: White. Cord type: 3-conductor, 18 AWG white PVC power cord. Cord length: 12'.

Weight: Max. 16 lbs.

Label: cULus, Damp location. IBEW.

Product code	Light source	Voltage	Finish	Cable type
ENIG825	1/39W/CMH/T-6 G12 1/10W/CMH/I-6 G12 1/150W/Halogen/I1U	120-277V 120V	ALU BR & ANO	WHITE PLASTIC AND WIRE

Specification notes

- a. CMH variants provided with one remote mount 120/277V F-can style ballast.
- b. CMH variants provided with protective glass shield.
- c. Halogen variants only available in 120V.

Info notes

- I. The comparable EU version has the following classification: Ingress Protection Code: IP20.

