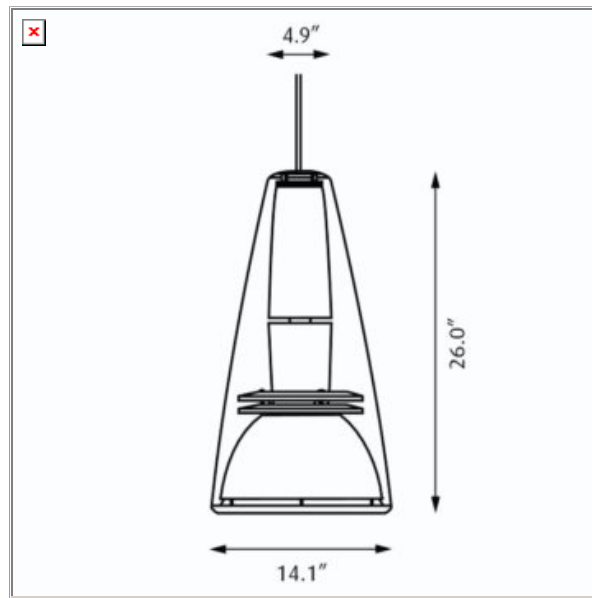


LP Charisma King



Design: PLH design as

Concept: The fixture emits a downward directed light. The two opal shades distribute a small amount of light laterally illuminating the fixture itself. The fixture is available with two reflector options: a narrow beam anodized, and a wide beam white painted.

Finish: Grey aluminum colored, wet painted. Clear acrylic.

Material: Cone: Injection molded clear acrylic. Shades: Injection molded white opal polycarbonate. Reflector: Spun aluminum. Housing: Spun aluminum. Ring and Struts: Die cast aluminum.

Mounting: Suspension type: 1x stainless steel aircraft cable. Suspension length: 12'. Canopy: White. Cord type: 3-conductor, 18 AWG PVC power cord with grey braided covering. Cord length: 12'.

Weight: Max. 14 lbs.

Label: cULus, Damp location. IBEW.

Product code	Light source	Voltage	Finish	Reflector/Optics	Shade
CHA-K	1/70W/100W/CMH/ED-17/-0 medium 1//10W/CMH/ED-1//--0 medium 1/100W/CMH/ED-1//--0 medium 1/150W/CMH/1-6 G12 1/250W/Halogen/1-4 mini can	120-277V 120/2//V 120V	GREY ALU COL WHI	NARROW MEDIUM	ALU NOI APPLICABLE OPAL POLY.

Specification notes

- a. 1/70W/CMH variants provided with one 120-277V integral electronic ballast.
- b. 1/150W/CMH variants provided with one remote mounted 120/277V F-can ballast.
- c. Halogen variants only available in 120V.
- d. Halogen and CMH variants provided with a protective glass shield.
- e. LED variants provided with a 120-277V electronic driver.
- f. All LED wattages are system power.

Info notes

- I. Cone is U.V. stabilized acrylic.
- II. The underside of the medium beam reflector is painted white.
- III. The underside of the narrow beam reflector is matte anodized.
- IV. The comparable EU version has the following classification; Ingress Protection Code: IP20.
- V. LED technology is rapidly changing. Specifications are based on present technology. For most up to date specifications see www.louispoulsen.com.

