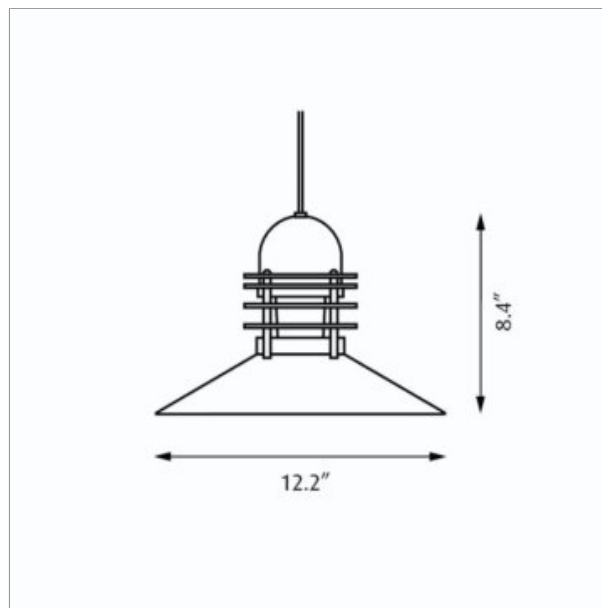


Nyhavn Pendant



Design: Alfred Homann & Ole V. Kjær

Concept: The conical shade ensures comfortable light that is directed downwards in a wide beam. The shade interior has a white matte painted surface, ensuring uniform light distribution. The rings ensure that a stray light is controlled, and direct a small amount of light onto the top side of the shade for self-illumination.

Finish: Copper, brushed and lacquered. Natural painted aluminum, powder coated. White, wet painted.

Material: Shades: Spun aluminum or spun copper. Diffuser: Clear glass or partly frosted glass. Top: Spun aluminum or spun copper.

Mounting: Canopy: White. Cord type: 3-conductor, 18 AWG PVC power cord. Cord color: Copper and natural painted aluminum version: Black cord or white version: white cord. Cord length: 12'.

Weight: Max. 9 lbs.

Label: cULus, Dry location. IBEW.

Product code	Light source	Voltage	Finish	Diff./Encl./Glass
NYP	1/18W/CF GX24q-2 1/100W/A-19/CL medium	120-277V 120V	COP LAC NAT PAINT ALU WHT	CLEAR PARTLY FROSTED

Specification notes

- a. CF variants provided with one 120-277V electronic ballast in the canopy.
- b. CF variants provided with partly frosted glass lamp diffuser.
- c. Incandescent variants provided with clear glass lamp diffuser.
- d. Incandescent variants only available in 120V.

Info notes

- I. The comparable EU version has the following classification: Ingress Protection Code: IP20.

**louis
poulsen**