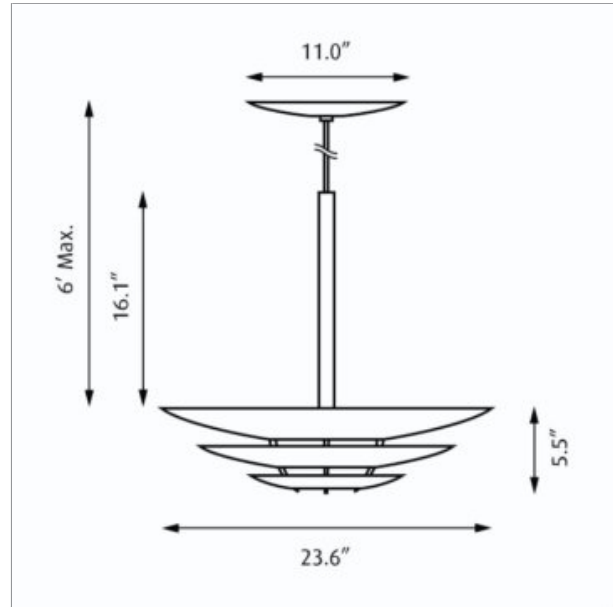


Oslo Pendant



Design: Kurt Nørregaard

Concept: The fixture provides general indirect illumination and produces a visually comfortable ambiance as a result of light being emitted between the shades. The opening at the base provides a downward illumination.

Finish: White, wet painted. Aluminum, brushed and lacquered.

Material: Canopy: Spun aluminum. Shades: Spun aluminum. Tube: Extruded aluminum. Struts: Light grey, die cast aluminum.

Mounting: Suspension type: 1x stainless steel aircraft cable. Suspension length: 6'. Canopy: White. Cord type: 3-conductor, 18 AWG white PVC power cord. Cord length: 6'.

Weight: Max. 9 lbs.

Label: cULus, Damp location. IBEW.

Product code	Light source	Voltage	Finish
OS-P	2/57W/CF GX24q-5	120-277V	BR ALU WHT

Specification notes
a. Provided with one 120-277V integral electronic ballast.

Info notes
I. The comparable EU version has the following classification: Ingress Protection Code: IP20.

**louis
poulsen**