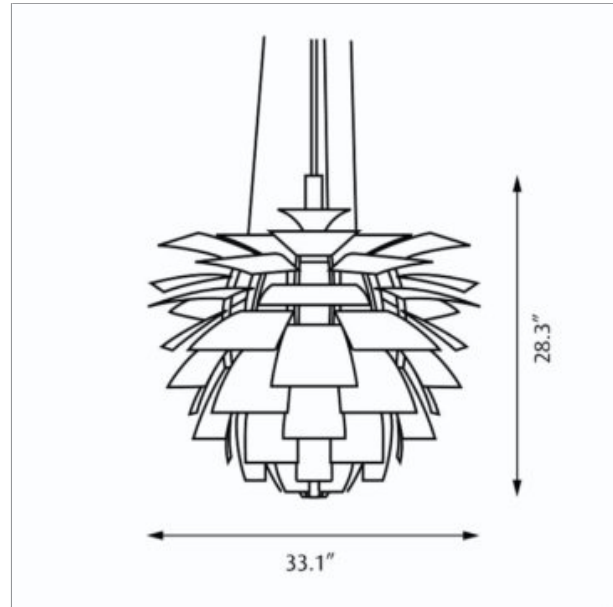
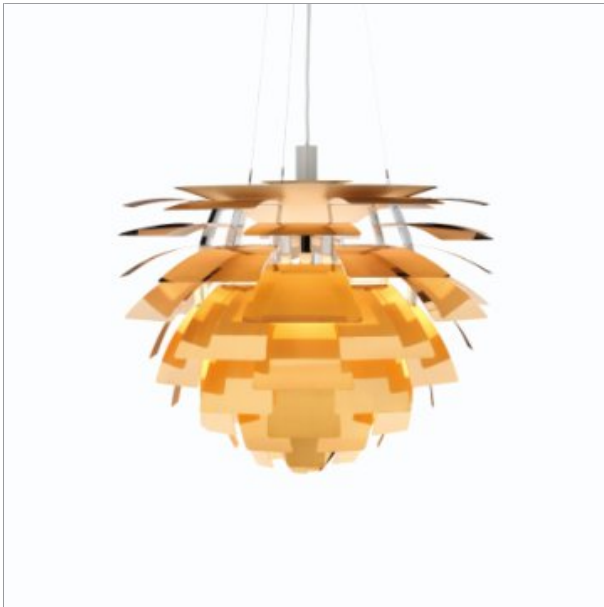


# PH Artichoke Gold



Design: Poul Henningsen

Concept: The fixture provides 100% glare-free light. The 72 precisely positioned leaves form 12 unique rows of six leaves each. They illuminate the fixture, as well as emit diffused light with a unique pattern. A warm and glowing light brings beauty and warmth to the surroundings. The contours of light and shadow on the leaves become graphical, enhancing the appearance in the room. The PH Artichoke Gold is a limited edition and will only be produced according to order by contacting Louis Poulsen. Only available in the size 33.1".

Finish: Gold.

Material: Leaves: 24 carat gold plated copper. Frame: High lustre chrome plated steel. Suspension: High lustre chrome plated aluminium.

Mounting: Suspension type: 3x stainless steel aircraft cables. Suspension length: 12'. Canopy: White. Cord type: 3-conductor, 18 AWG PVC power cord. Cord color: White.

Weight: Max. 0 lbs.

Label: cULus, Dry location. IBEW.

Product code
PHA-P-GOLD

Specification notes

- a. CMH variant provided with one remote mounted 120/277V F-can ballast.
- b. Incandescent variant only available in 120V.

Info notes

- I. The comparable EU version has the following classification: Ingress Protection Code: IP20.

**louis  
poulsen**