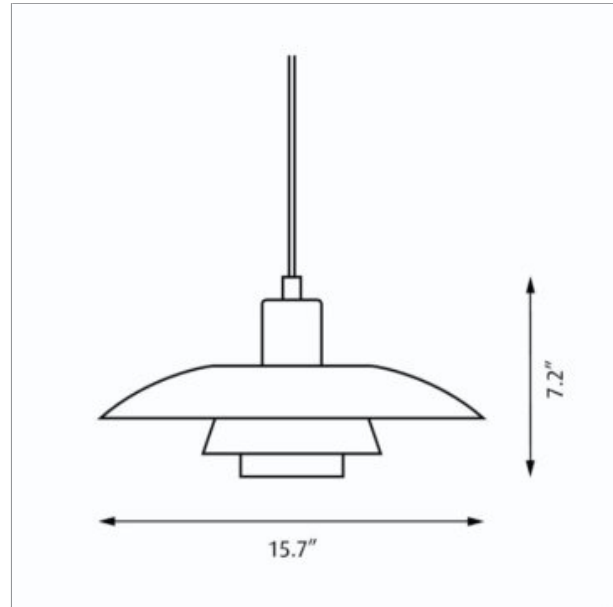


PH 4/3 Pendant



Design: Poul Henningsen

Concept: The fixture is designed based on the principle of a reflective three-shade system, which directs the majority of the light downwards. The shades are made of metal and painted white to ensure uniform, comfortable light distribution.

Finish: White, wet painted.

Material: Shades: Spun aluminum.

Mounting: Canopy: White. Cord type: 3-conductor, 18 AWG white PVC power cord. Cord length: 12'.

Weight: Max. 2 lbs.

Label: cULus, Dry location. IBEW.

Product code	Light source	Voltage	Finish	Cable type
PH4/3-P	1/100W/A-19/IF medium	120V	BR ALU WHT	BLK WHT

Info notes

1. The comparable EU version has the following classification: Ingress Protection Code: IP20.

**louis
poulsen**