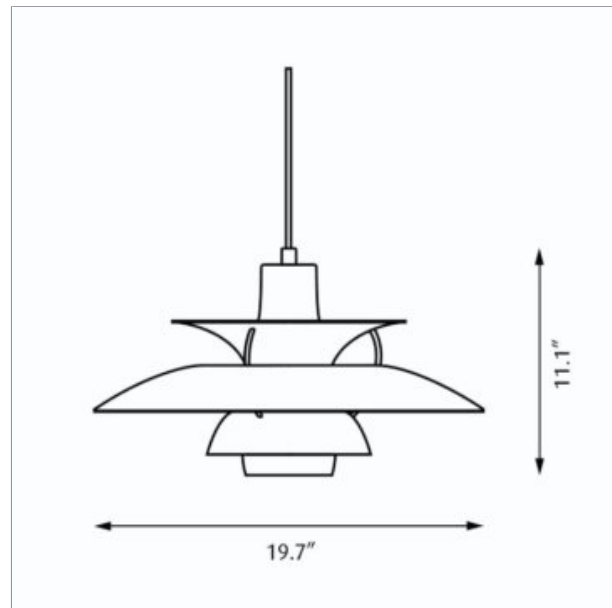


PH 5 & PH 50



Design: Poul Henningsen

Concept: The fixture provides 100% glare-free light. Its design is based on the principle of a reflective three-shade system, which directs majority of the light downwards. The fixture emits both downward and lateral light, thus illuminating itself. A warmer tone of light is created by the inside red cone and a small blue reflector in PH 5 and by a small red reflector in PH 50.

Finish: Chili Red, coconut white, mint blue, olive black or wasabi green, lacquered. White, wet painted.

Material: Shades: Spun aluminum. Concealing shield: Sand-blasted, glass. Struts: Silver or purple, rolled aluminum.

Mounting: Canopy: White. Cord type: 3-conductor, 18 AWG white PVC power cord. Cord length: 12'.

Weight: Max. 5 lbs.

Label: cULus, Dry location. IBEW.

Product code	Light source	Voltage	Finish
PH5/PH50	1/23W/CF medium 1/200W/A-23W/IF medium	120V	CHILI RED COCONUT WHITE GRP GREY MINT BLUE OLIVE BLACK WASABI GREEN WHT

Info notes

I. White variant is only available with purple struts.

II. The comparable EU version has the following classification: Ingress Protection Code: IP20.